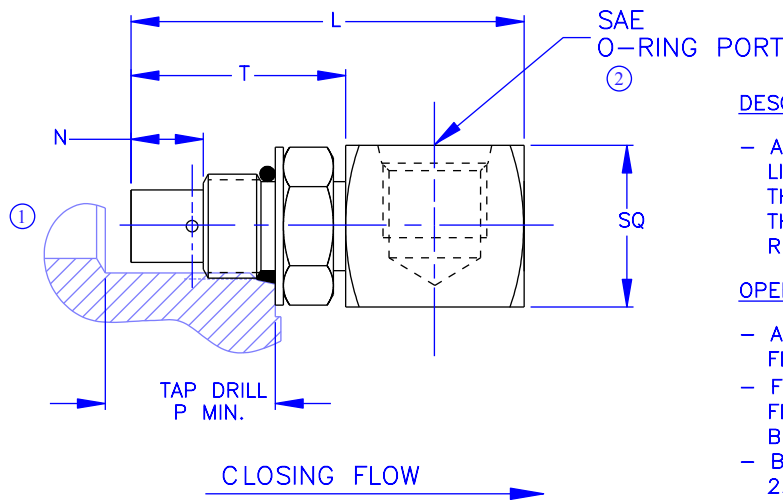




FLOW LIMITER IN-LINE SWIVEL

8800 SERIES
90° ELBOW



DESCRIPTION

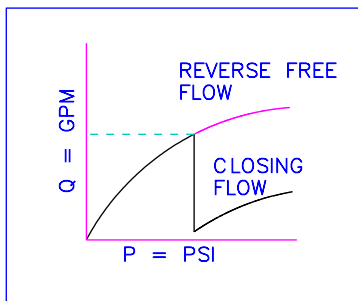
- AN IN-LINE 90° ELBOW SWIVEL FLOW LIMITER WITH AN SAE O-RING OUTLET PORT THAT PROVIDES PARTIAL-LINE SHUT-OFF IN THE EVENT OF A LINE FAILURE. ALLOWS RESTRICTED FLOW AFTER CLOSING.

OPERATION

- A FLOW BELOW THE SPECIFIED CLOSING FLOW IS ALLOWED FROM "1" TO "2".
- FLOW ABOVE THE SPECIFIED CLOSING FLOW FROM "1" TO "2" IS ASSUMED TO BE A LINE FAILURE AND IS LIMITED.
- BLEED RATE AFTER CLOSING IS 2.0 - 3.0 GPM AT 3000 PSI.
- FLOW FROM "2" TO "1" PASSES THRU THE CONTROLLING ORIFICE BUT IS UNCONTROLLED.
- CLOSING FLOW TOLERANCE=+15%-0%

FEATURES

- SWIVEL DESIGN FOR EASY ALIGNMENT.
- 90° ELBOW FOR LOW PROFILE APPLICATIONS
- FAIL SAFE EMBEDDED LIMITER DESIGN.
- STEEL BODY & COMPONENTS
- RAPID RESPONSE.
- POSITIVE CLOSE.
- SAE O-RING PORT OUTLET FOR LEAK FREE CONNECTIONS.



- SPECIFICATIONS -

HYDRAULIC SYMBOL	
OPERATING PRESSURE	3500 PSI
TEMPERATURE RANGE	250°F TO -40°F
REOPENING DIFFERENTIAL	50 PSI
ALL DIMENSIONS IN INCHES	

- ORDERING INFORMATION -

ASSEMBLY NUMBER 88XX-XX
 SERIES NUMBER _____
 PORT SIZE _____
 CLOSING FLOW (GPM) _____

MODEL	THREAD ②	CAVITY * THREAD	P	RATED FLOW	L	T	N	SQ
8804	7/16-20	9/16-18	1.000	0.2 - 3 GPM	1.820	1.160	0.390	0.750
8806	9/16-18	9/16-18	1.000	0.2 - 5 GPM	2.125	1.160	0.390	0.875
8808	3/4-16	3/4-16	1.250	0.5 - 15 GPM	2.555	1.430	0.550	1.000
8810	7/8-14	7/8-14	1.688	1.0 - 25 GPM	3.230	1.870	0.850	1.125
8812	1 1/16-12	1 1/16-12	1.980	2.0 - 40.0 GPM	3.625	2.065	0.905	1.375
8816	1 5/16-12	1 5/16-12	2.000	5.0 - 50.0 GPM	3.825	2.045	0.885	1.375

* FUSE NOSE REQUIRES A DEEPER TAP DRILL DEPTH - SEE DIM. P



Vonberg Valve, inc.
HYDRAULIC VALVE SPECIALISTS

3800 INDUSTRIAL AVE.
 ROLLING MEADOWS, IL 60008-1085
 PH: (847) 259-3800 FAX: (847) 259-3997