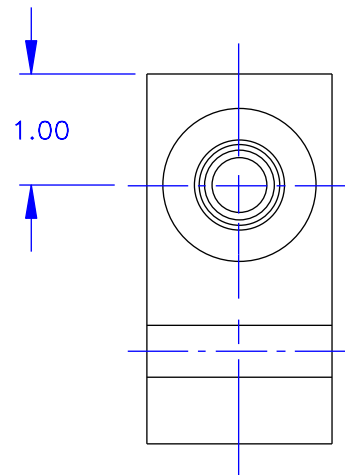
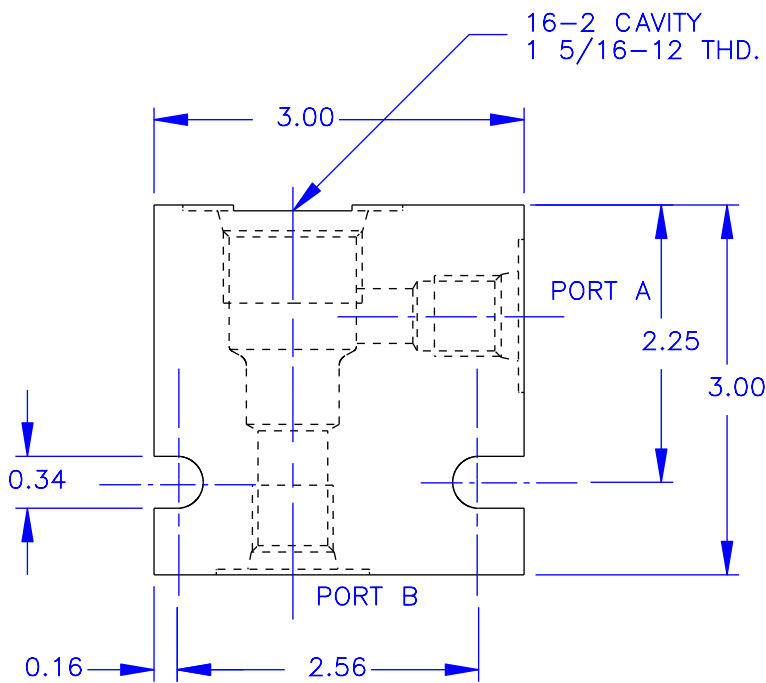
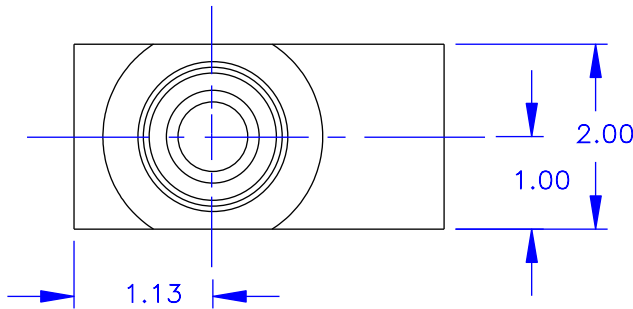




STANDARD BODIES FOR 16-2 SERIES CARTRIDGES



RATED PRESSURE = 3500 PSI

TO ORDER A CARTRIDGE VALVE IN A BODY AS AN ASSEMBLY, ADD THE LAST TWO DIGITS OF THE BODY PART NUMBER TO THE END OF THE CARTRIDGE NUMBER.
EXAMPLE: 1816-6P

STANDARD BODIES ARE ALUMINUM, CONSULT FACTORY FOR ALTERNATE MATERIALS.

- ORDERING INFORMATION -	
BODY NUMBER	16-2-XX
CAVITY TYPE	
A & B PORT SIZE	
-6P	= 3/4 NPTF
-8P	= 1" NPTF
-10T	= #10 SAE
-12T	= #12 SAE
-16T	= #16 SAE



Vonberg Valve, inc.

HYDRAULIC VALVE SPECIALISTS

3800 INDUSTRIAL AVE.
ROLLING MEADOWS, IL 60008-1085
PH: (847) 259-3800 FAX: (847) 259-3997