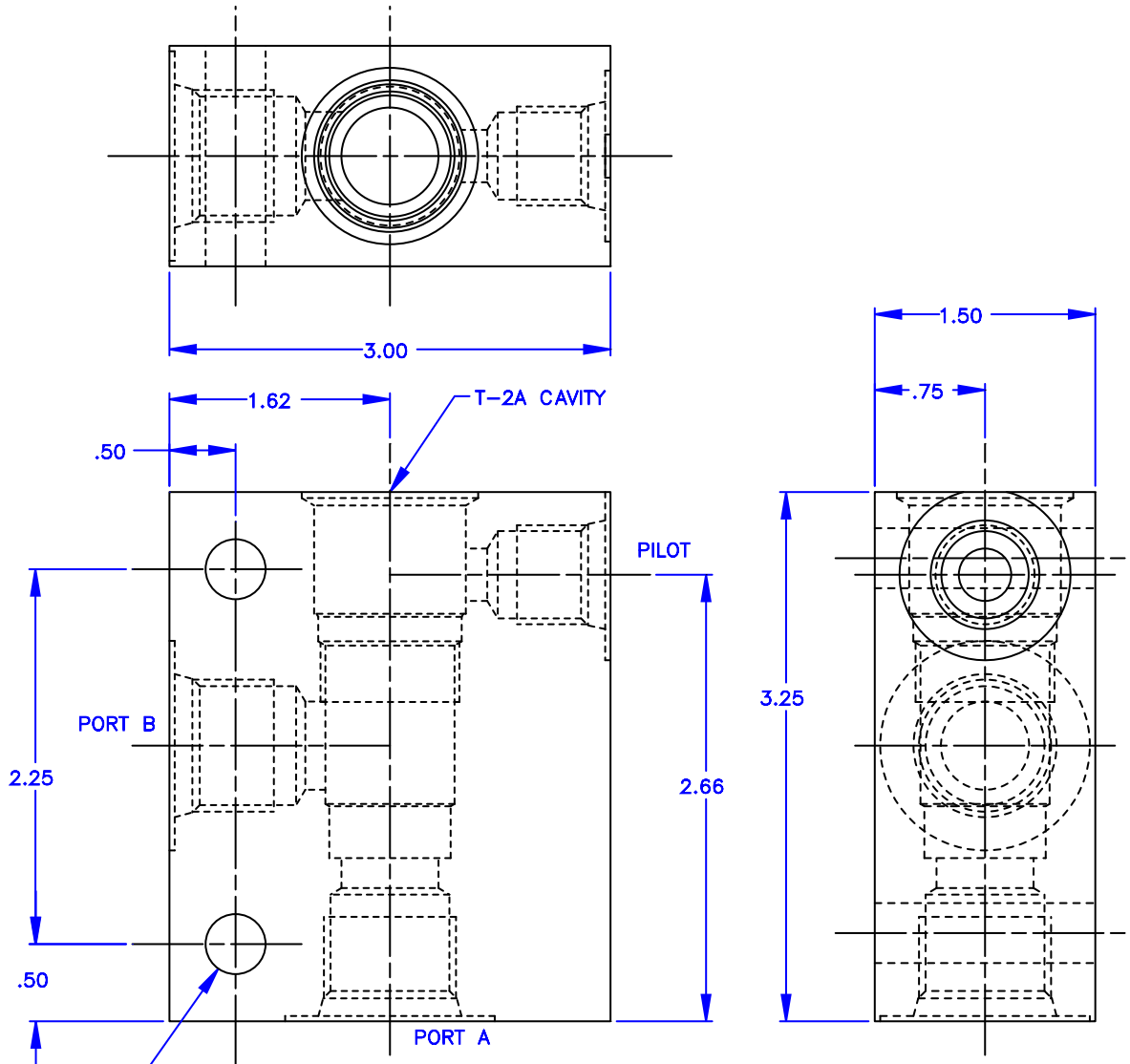




T-2A SERIES CARTRIDGE BODY

CBM-C

90 DEGREE



RATED PRESSURE = 3500 PSI

STANDARD BODIES ARE ALUMINUM,
CONSULT FACTORY FOR ALTERNATE MATERIALS.

MOUNTING HOLES
0.42 DIA. THRU
(2 PLACES)

— ORDERING INFORMATION —

ASSEMBLY NUMBER _____ CBM-C# _____
 —CBM FOR STAND ALONE MANIFOLD _____
 —FOR INTEGRATED MANIFOLD USE _____
 COUNTERBALANCE ASSEMBLY NUMBER _____
 WITH MANIFOLD DESIGNATOR ONLY _____
 MANIFOLD DESIGNATOR _____
 PORT SIZE _____

PORT DESIGNATOR & SIZE	PORTS A & B	PILOT PORT
C1	1/4 NPTF	1/4 NPTF
C2	3/8 NPTF	1/4 NPTF
C3	1/2 NPTF	1/4 NPTF
C4	3/4 NPTF	1/4 NPTF
C5	#6 SAE	#6 SAE
C6	#8 SAE	#6 SAE
C7	#10 SAE	#6 SAE
C8	#12 SAE	#6 SAE



Vonberg Valve, inc.
 HYDRAULIC VALVE SPECIALISTS

3800 INDUSTRIAL AVE.
 ROLLING MEADOWS, IL 60008-1085
 PH: (847) 259-3800 FAX: (847) 259-3997