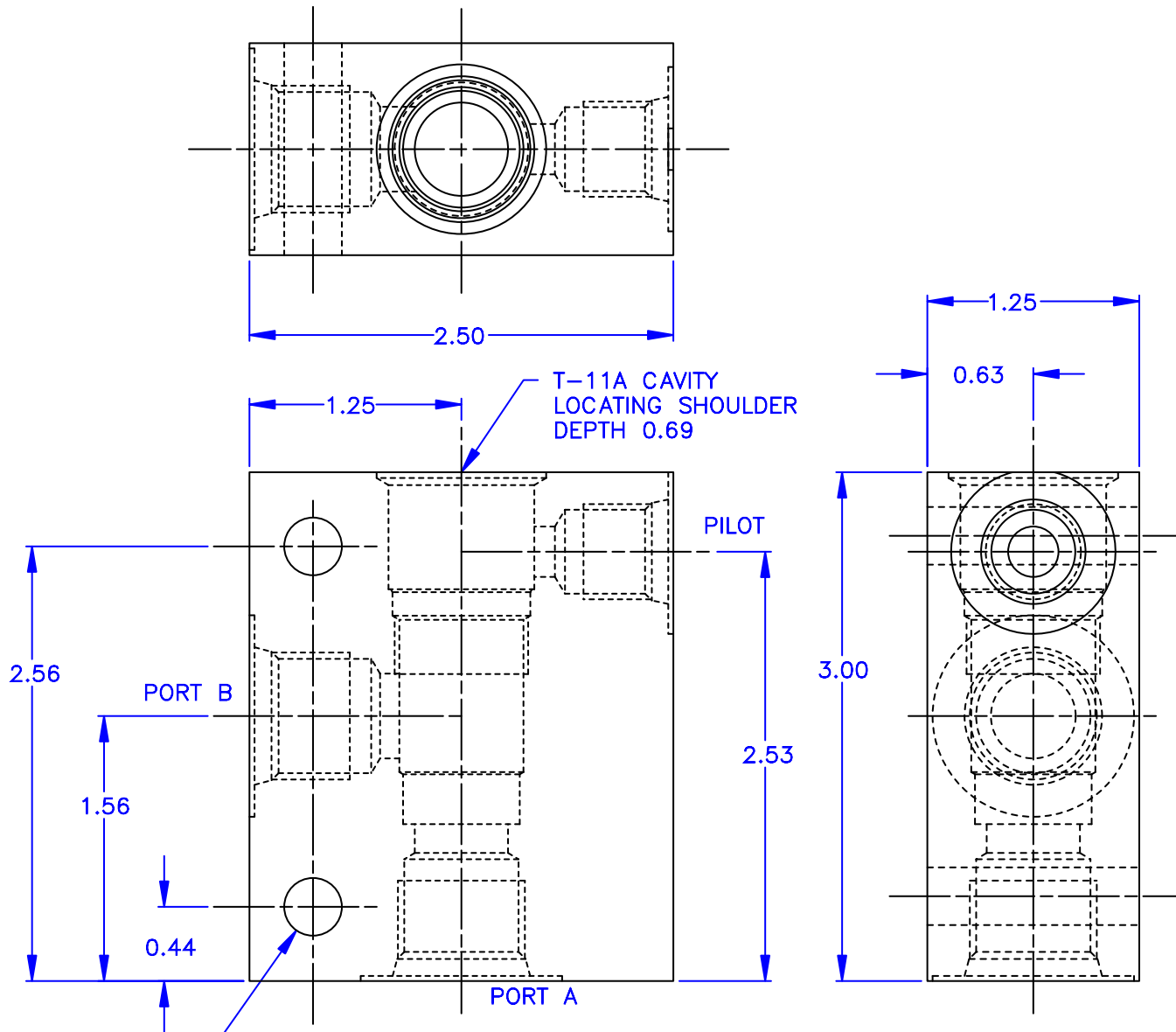




# T-11A SERIES CARTRIDGE BODY

CBM-A

90 DEGREE



RATED PRESSURE = 3500 PSI

STANDARD BODIES ARE ALUMINUM,  
CONSULT FACTORY FOR ALTERNATE MATERIALS.

— ORDERING INFORMATION —

ASSEMBLY NUMBER _____ CBM-A# _____ —CBM FOR STAND ALONE MANIFOLD —FOR INTEGRATED MANIFOLD USE COUNTERBALANCE ASSEMBLY NUMBER WITH MANIFOLD DESIGNATOR ONLY MANIFOLD DESIGNATOR _____ PORT SIZE _____	PORT DESIGNATOR & SIZE	PORTS A & B	PILOT PORT
	A1	1/4 NPTF	1/4 NPTF
	A2	3/8 NPTF	1/4 NPTF
	A3	1/2 NPTF	1/4 NPTF
	A4	#4 SAE	#4 SAE
	A5	#6 SAE	#6 SAE
	A6	#8 SAE	#6 SAE
	A7	#10 SAE	#6 SAE



**Vonberg Valve, inc.**

HYDRAULIC VALVE SPECIALISTS

3800 INDUSTRIAL AVE.  
 ROLLING MEADOWS, IL 60008-1085  
 PH: (847) 259-3800 FAX: (847) 259-3997