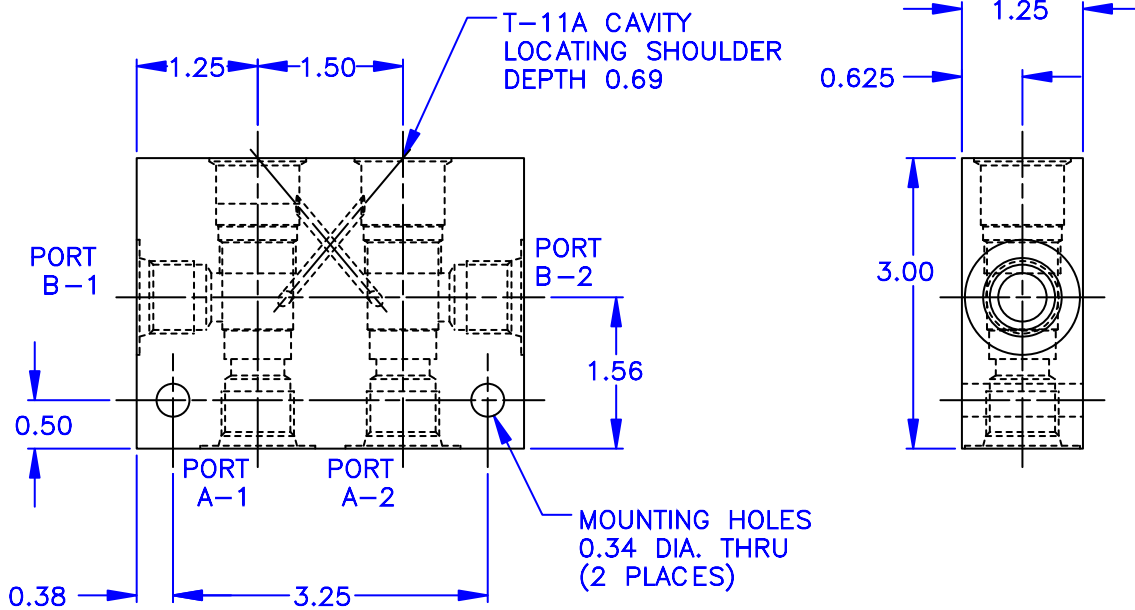
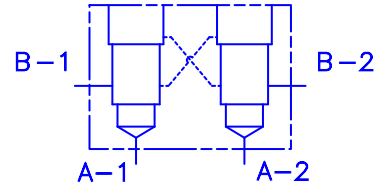
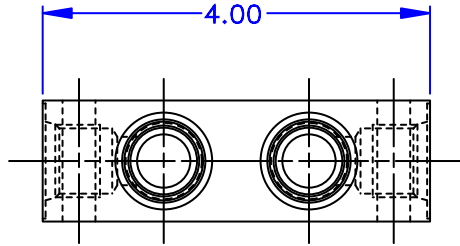




T-11A SERIES CARTRIDGE BODY

CBM-B

TWO CAVITY 90 DEGREE
CROSS-PILOTED BODY



RATED PRESSURE = 3500 PSI

STANDARD BODIES ARE ALUMINUM,
CONSULT FACTORY FOR ALTERNATE MATERIALS.

— ORDERING INFORMATION —

ASSEMBLY NUMBER _____ CBM-B# _____ -CBM FOR STAND ALONE MANIFOLD _____ -FOR INTEGRATED MANIFOLD USE _____ COUNTERBALANCE ASSEMBLY NUMBER WITH MANIFOLD DESIGNATOR ONLY _____ MANIFOLD DESIGNATOR _____ PORT SIZE _____	<table border="1"> <thead> <tr> <th>PORT DESIGNATOR & SIZE</th> <th>ALL PORTS</th> <th>THREAD</th> </tr> </thead> <tbody> <tr> <td>B1</td> <td>1/4 NPTF</td> <td>1/4-18</td> </tr> <tr> <td>B2</td> <td>3/8 NPTF</td> <td>3/8-18</td> </tr> <tr> <td>B3</td> <td>1/2 NPTF</td> <td>1/2-14</td> </tr> <tr> <td>B4</td> <td>#6 SAE</td> <td>9/16-18 UNF-2B</td> </tr> <tr> <td>B5</td> <td>#8 SAE</td> <td>3/4-16 UNF-2B</td> </tr> <tr> <td>B6</td> <td>#10 SAE</td> <td>7/8-14 UNF-2B</td> </tr> </tbody> </table>	PORT DESIGNATOR & SIZE	ALL PORTS	THREAD	B1	1/4 NPTF	1/4-18	B2	3/8 NPTF	3/8-18	B3	1/2 NPTF	1/2-14	B4	#6 SAE	9/16-18 UNF-2B	B5	#8 SAE	3/4-16 UNF-2B	B6	#10 SAE	7/8-14 UNF-2B
PORT DESIGNATOR & SIZE	ALL PORTS	THREAD																				
B1	1/4 NPTF	1/4-18																				
B2	3/8 NPTF	3/8-18																				
B3	1/2 NPTF	1/2-14																				
B4	#6 SAE	9/16-18 UNF-2B																				
B5	#8 SAE	3/4-16 UNF-2B																				
B6	#10 SAE	7/8-14 UNF-2B																				



Vonberg Valve, inc.

HYDRAULIC VALVE SPECIALISTS

3800 INDUSTRIAL AVE.
ROLLING MEADOWS, IL 60008-1085
PH: (847) 259-3800 FAX: (847) 259-3997