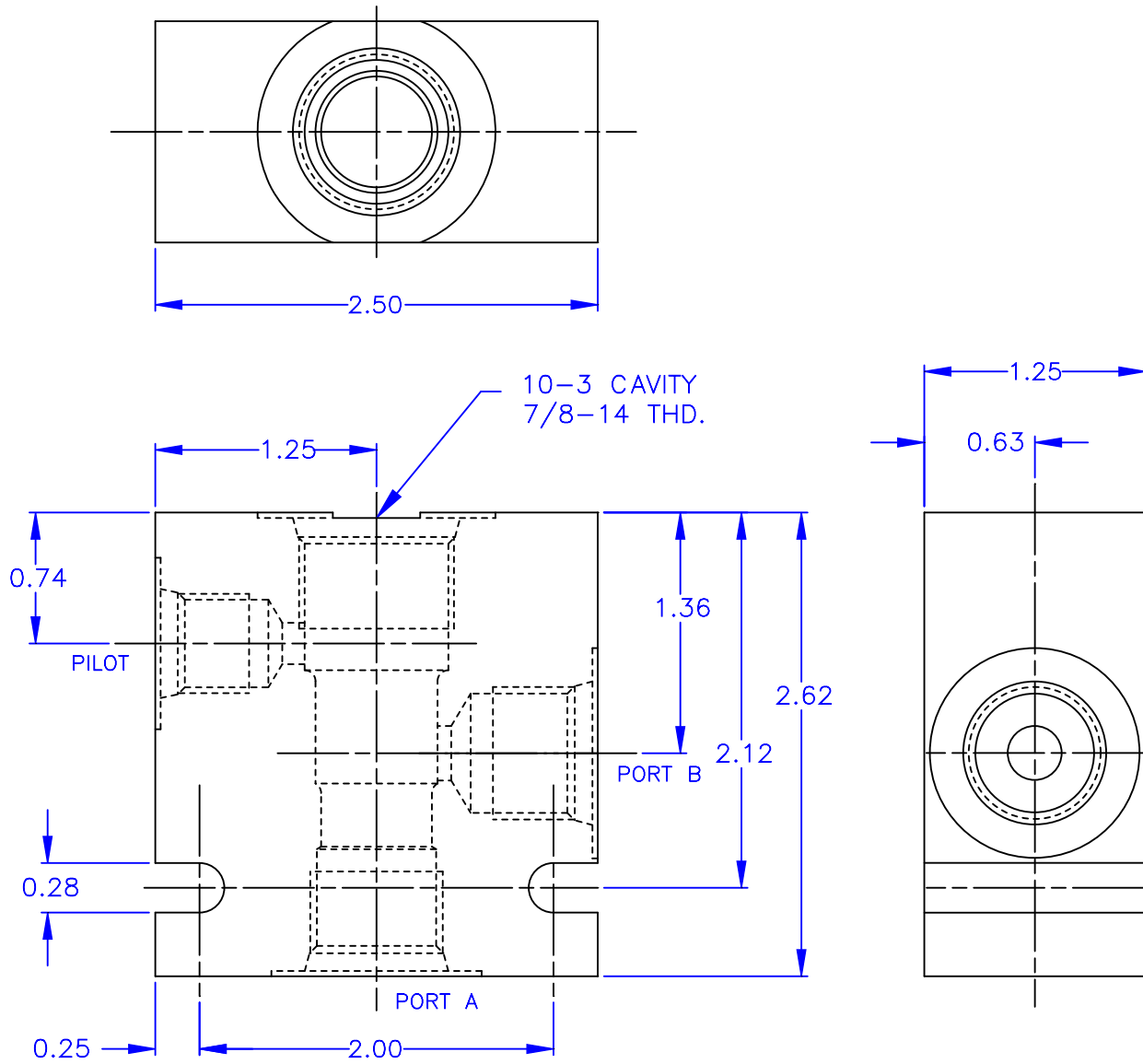




5010 CARTRIDGE BODY

CBM-AA

90 DEGREE



RATED PRESSURE = 3500 PSI

STANDARD BODIES ARE ALUMINUM,
CONSULT FACTORY FOR ALTERNATE MATERIALS.

- ORDERING INFORMATION -

ASSEMBLY NUMBER _____ CBM-AA#	PORT DESIGNATOR & SIZE	PORTS A & B	PILOT PORT
-CBM FOR STAND ALONE MANIFOLD _____	AA1	1/4 NPTF	1/4 NPTF
-FOR INTEGRATED MANIFOLD USE _____	AA2	3/8 NPTF	1/4 NPTF
COUNTERBALANCE ASSEMBLY NUMBER _____	AA3	#4 SAE	#4 SAE
WITH MANIFOLD DESIGNATOR ONLY _____	AA4	#6 SAE	#6 SAE
MANIFOLD DESIGNATOR _____	AA5	#8 SAE	#6 SAE
PORT SIZE _____			



Vonberg Valve, inc.

HYDRAULIC VALVE SPECIALISTS

3800 INDUSTRIAL AVE.
ROLLING MEADOWS, IL 60008-1085
PH: (847) 259-3800 FAX: (847) 259-3997