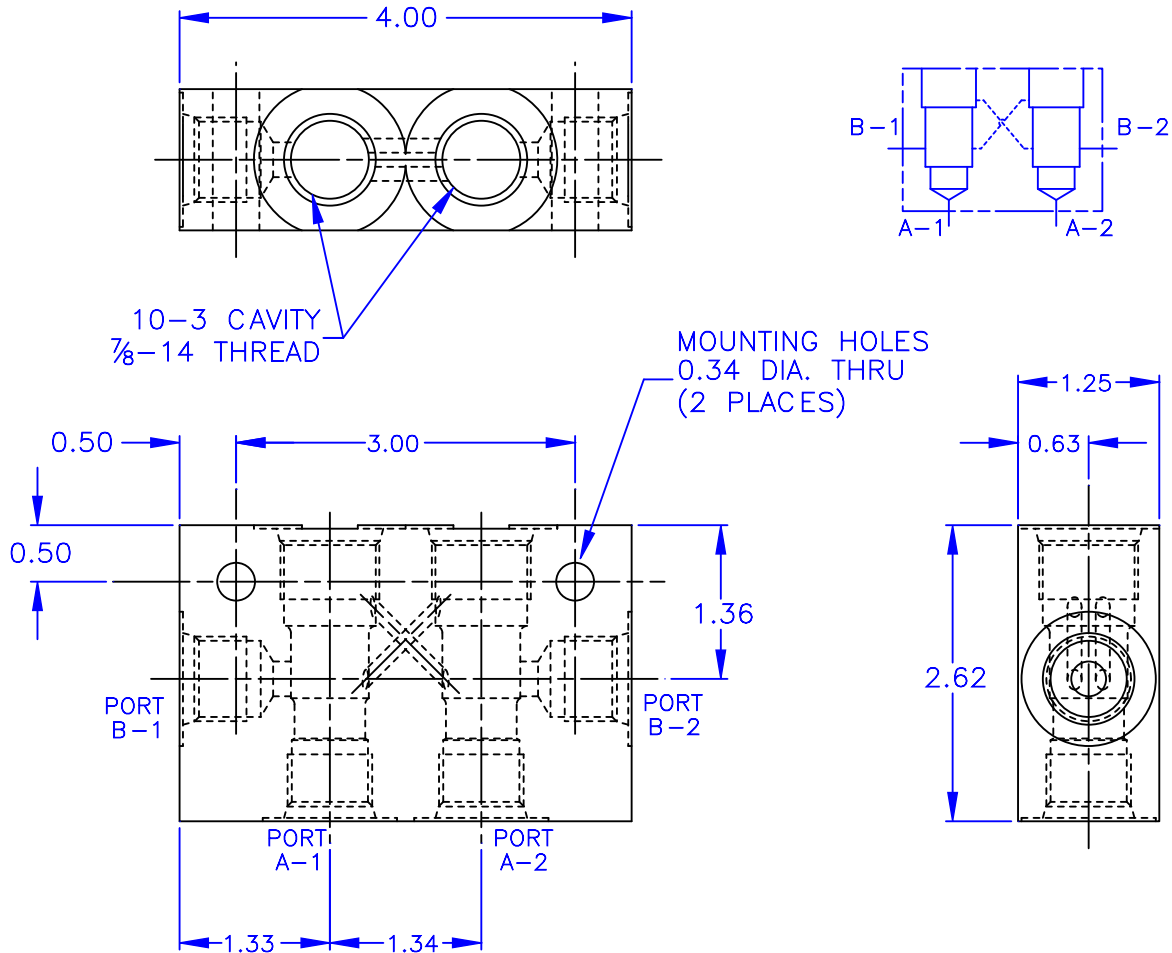




# 5010 CARTRIDGE BODY

CBM-BB

TWO CAVITY 90 DEGREE  
CROSS-PILOTED BODY



RATED PRESSURE = 3500 PSI

STANDARD BODIES ARE ALUMINUM,  
CONSULT FACTORY FOR ALTERNATE MATERIALS.

— ORDERING INFORMATION —

ASSEMBLY NUMBER _____	CBM-BB# _____	PORT DESIGNATOR & SIZE	ALL PORTS	THREAD
-CBM FOR STAND ALONE MANIFOLD _____	_____	BB1	1/4 NPTF	1/4-18
-FOR INTEGRATED MANIFOLD USE _____	_____	BB2	3/8 NPTF	3/8-18
COUNTERBALANCE ASSEMBLY NUMBER _____	_____	BB3	1/2 NPTF	1/2-14
WITH MANIFOLD DESIGNATOR ONLY _____	_____	BB4	#6 SAE	9/16-18 UNF-2B
MANIFOLD DESIGNATOR _____	_____	BB5	#8 SAE	3/4-16 UNF-2B
PORT SIZE _____	_____	BB6	#10 SAE	7/8-14 UNF-2B



**Vonberg Valve, inc.**

HYDRAULIC VALVE SPECIALISTS

3800 INDUSTRIAL AVE.  
ROLLING MEADOWS, IL 60008-1085  
PH: (847) 259-3800 FAX: (847) 259-3997