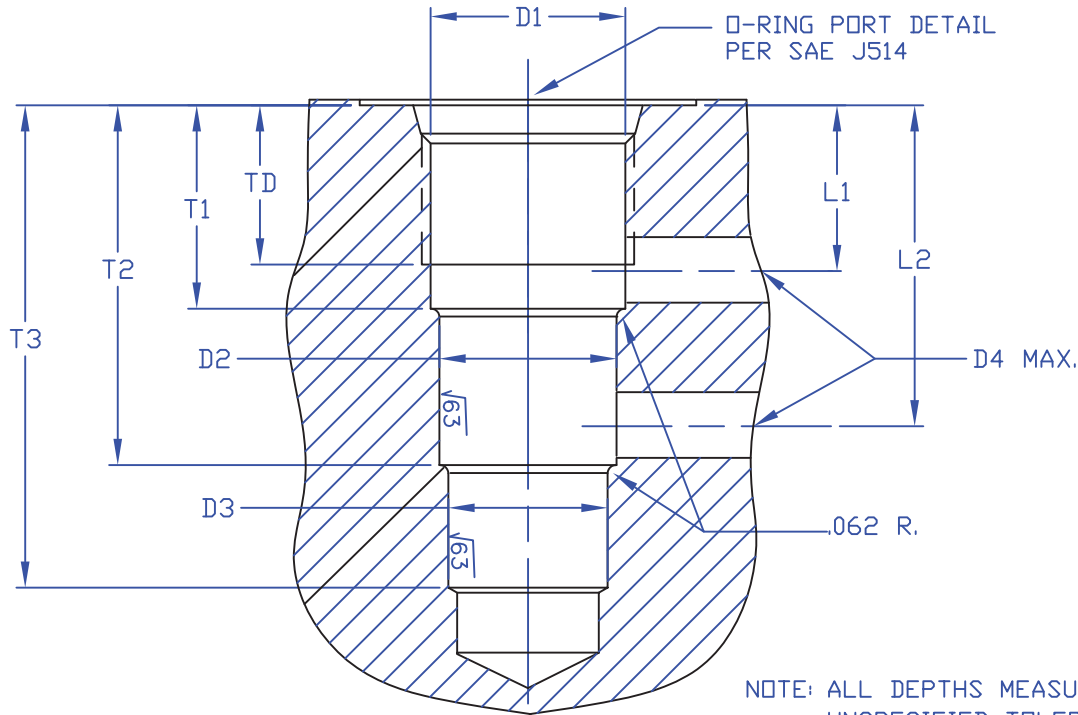




# CARTRIDGE CAVITY DETAIL THREADED STYLE



CAVITY	4-2	6-2	6-3	8-2	8-3	10-2	10-3	12-2	12-3	16-2	16-3
THREAD	7/16-20	9/16-18	9/16-18	3/4-16	3/4-16	7/8-14	7/8-14	1 1/16-12	1 1/16-12	1 5/16-12	1 5/16-12
TD	.450	.440		.500		.625		.810		.750	
D1	.390/.388	.515/.502		.690/.686		.814/.810		.978/.975		1.236/1.232	
D2	.281/.283	.471/.472	.471/.472	.502/.500	.627/.625	.627/.625	.690/.688	.877/.875	.939/.937	1.128/1.126	1.128/1.126
D3	---	---	.441/.442	---	.564/.562	---	.627/.625	---	.877/.875	---	1.065/1.063
D4 MAX.	.219	.187	.187	.344	.234	.406	.266	.690	.500	.750	.625
L1	.565	.530	.530	.580	.580	.720	.720	1.030	1.120	.970	.970
L2	---	---	.925	---	1.140	---	1.330	---	2.090	---	2.095
T1	.675	.635	.635	.750	.720	.930	.860	1.400	1.400	1.344	1.344
T2	.975	.845	1.030	1.156	1.270	1.312	1.500	1.920	2.370	1.844	1.812
T3	---	---	1.240	---	1.700	---	1.875	---	2.890	---	2.970



**Vonberg Valve, inc.**  
HYDRAULIC VALVE SPECIALISTS

3800 INDUSTRIAL AVE.  
ROLLING MEADOWS, IL 60008-1085  
PH: (847) 259-3800 FAX: (847) 259-3997