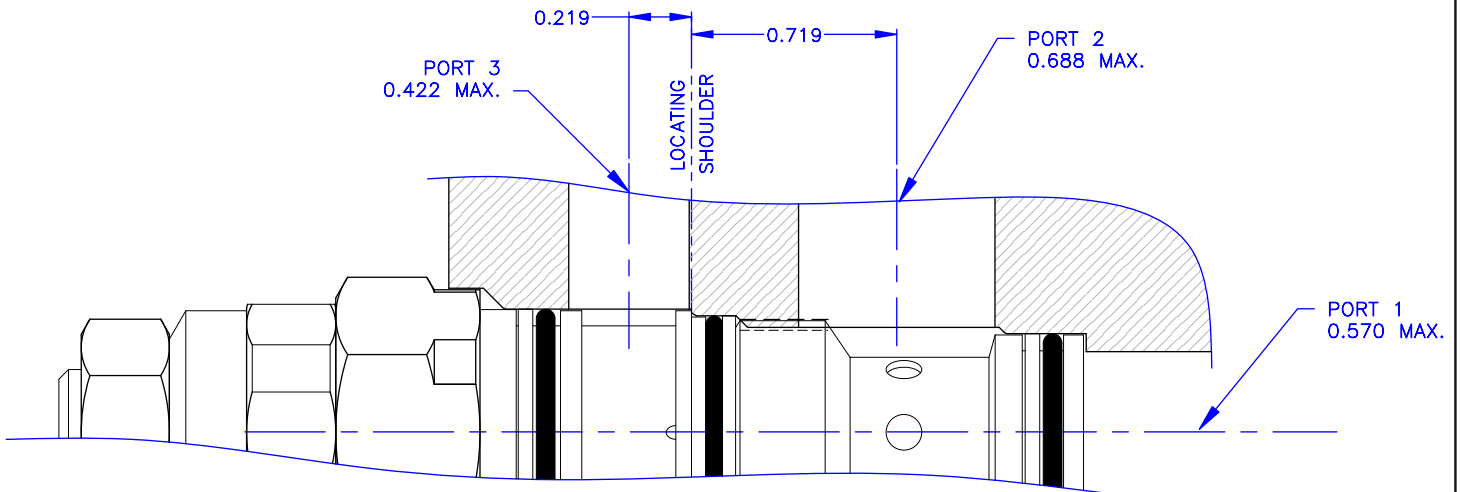
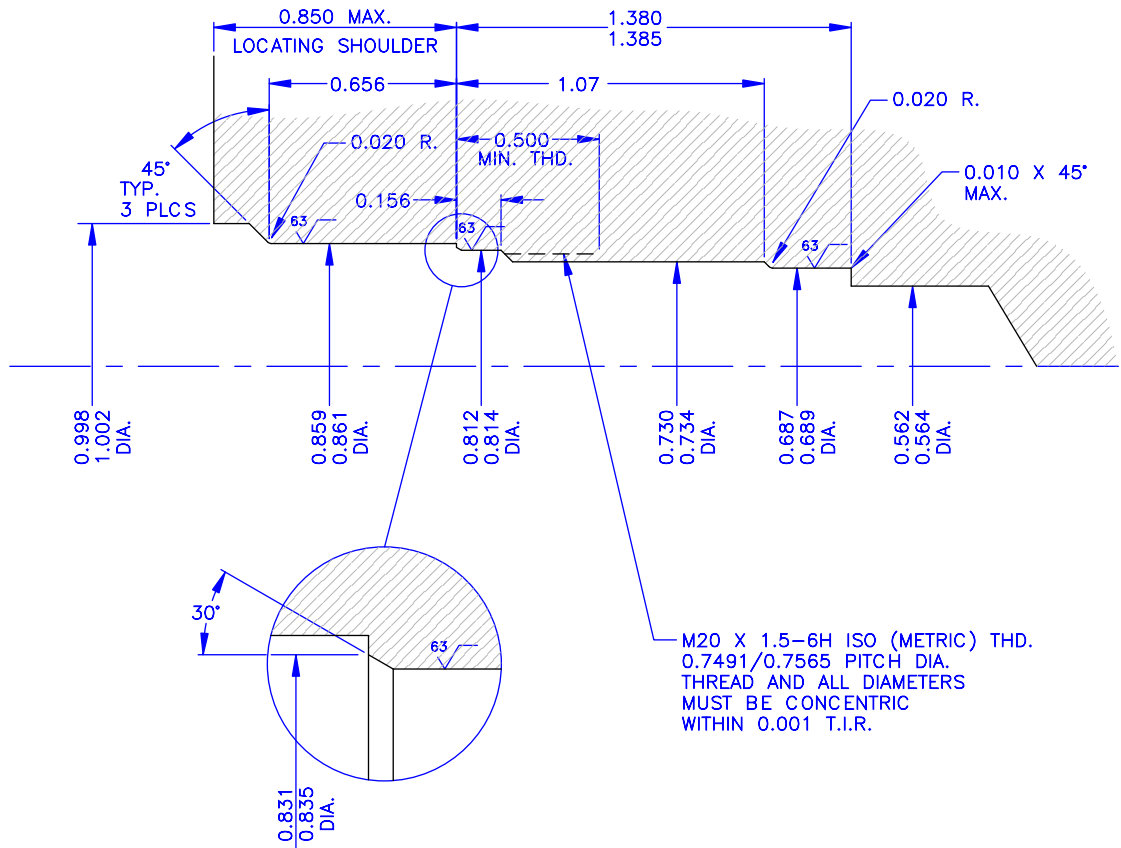




# T-11 CAVITY DETAIL



**Vonberg Valve, inc.**

HYDRAULIC VALVE SPECIALISTS

VONBERG VALVE, INC.  
3800 INDUSTRIAL AVE.  
ROLLING MEADOWS, IL 60008-1085  
PH: (847) 259-3800 FAX: (847) 259-3997