

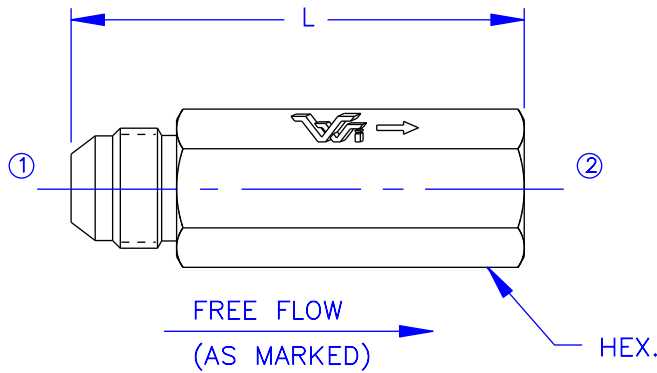


CHECK VALVE

10312-600 SERIES

IN-LINE

POPPET TYPE
MALE JIC TO FEMALE SAE



DESCRIPTION

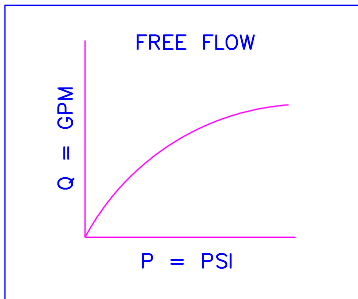
- AN IN-LINE STYLE, CHECK VALVE INTENDED FOR BLOCKING FLUID FLOW.

OPERATION

- FLOW FROM "1" TO "2" IS ALLOWED WITH A STANDARD CRACK PRESSURE OF 5 PSI.
- FLOW FROM "2" TO "1" IS BLOCKED WITH A SPRING BIAS TO ASSIST IN STATIC AND LOW LOAD CONDITIONS.

FEATURES

- LOW INTERNAL LEAKAGE, 5 DPM.
- LOW PRESSURE DROP.
- ALUMINUM BODY.
- STEEL POPPET.
- NO INTERNAL PACKINGS.
- * SPECIAL CRACK PRESSURES AVAILABLE UPON REQUEST.



- SPECIFICATIONS -

HYDRAULIC SYMBOL	
OPERATING PRESSURE	3500 PSI
TEMPERATURE RANGE	250°F TO -40°F
STANDARD CRACK PRESSURE	5 PSI *
ALL DIMENSIONS IN INCHES	

- ORDERING INFORMATION -

ASSEMBLY NUMBER 10312-60X-XX
 SERIES NUMBER _____
 THREAD SIZE _____
 CRACK PRESSURE (PSI) _____
 (IF NON-STANDARD)

MODEL	CONN. 1	PORT 2	THREAD	FLOW CAPACITY	L	HEX.
10312-604	#4 JIC 37° FLARE	#4 SAE	7/16-20	3 GPM	1.93	0.625
10312-606	#6 JIC 37° FLARE	#6 SAE	9/16-18	10 GPM	1.94	0.750
10312-608	#8 JIC 37° FLARE	#8 SAE	3/4-16	20 GPM	2.72	0.938
10312-610	#10 JIC 37° FLARE	#10 SAE	7/8-14	30 GPM	3.25	1.125
10312-612	#12 JIC 37° FLARE	#12 SAE	1 1/16-12	40 GPM	3.75	1.250
10312-616	#16 JIC 37° FLARE	#16 SAE	1 5/16-12	50 GPM	4.50	1.625



Vonberg Valve, inc.

HYDRAULIC VALVE SPECIALISTS

3800 INDUSTRIAL AVE.
 ROLLING MEADOWS, IL 60008-1085
 PH: (847) 259-3800 FAX: (847) 259-3997