

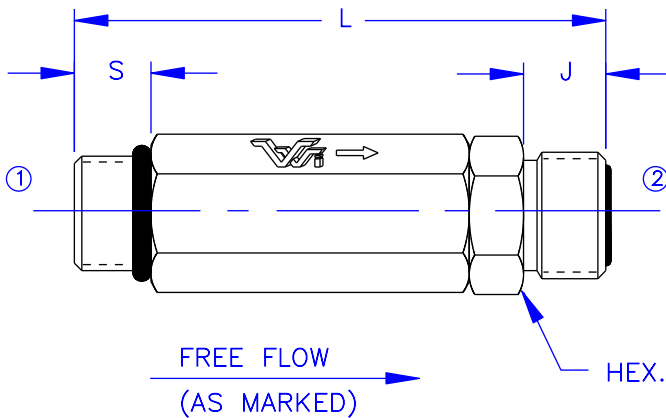


CHECK VALVE

10414-800 SERIES

IN-LINE

POPPET TYPE
MALE SAE TO MALE ORS



DESCRIPTION

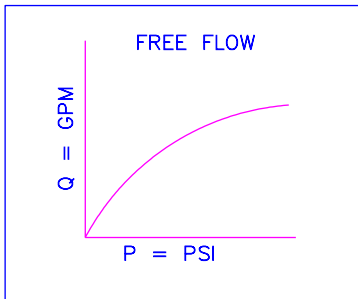
- AN IN-LINE STYLE, CHECK VALVE INTENDED FOR BLOCKING FLUID FLOW.

OPERATION

- FLOW FROM "1" TO "2" IS ALLOWED WITH A STANDARD CRACK PRESSURE OF 5 PSI.
- FLOW FROM "2" TO "1" IS BLOCKED WITH A SPRING BIAS TO ASSIST IN STATIC AND LOW LOAD CONDITIONS.

FEATURES

- LOW INTERNAL LEAKAGE, 5 DPM.
- LOW PRESSURE DROP.
- STEEL BODY.
- STEEL POPPET.
- NO INTERNAL PACKINGS.
- * SPECIAL CRACK PRESSURES AVAILABLE UPON REQUEST.



- SPECIFICATIONS -

HYDRAULIC SYMBOL	
OPERATING PRESSURE	3500 PSI
TEMPERATURE RANGE	250°F TO -40°F
STANDARD CRACK PRESSURE	5 PSI *
ALL DIMENSIONS IN INCHES	

- ORDERING INFORMATION -

ASSEMBLY NUMBER 10414-80X-XX
 SERIES NUMBER _____
 THREAD SIZE _____
 CRACK PRESSURE (PSI) _____
 (IF NON-STANDARD)

MODEL	INLET 1	THREAD 1	OUTLET 2	THREAD 2	FLOW CAPACITY	L	J	S	HEX.
10414-804	#4 SAE	7/16-20	#4 ORS	9/16-18	3 GPM	2.44	0.38	0.43	0.625
10414-806	#6 SAE	9/16-18	#6 ORS	11/16-16	6 GPM	2.56	0.44	0.47	0.750
10414-808	#8 SAE	3/4-16	#8 ORS	13/16-16	20 GPM	3.39	0.50	0.55	0.875
10414-810	#10 SAE	7/8-14	#10 ORS	1-14	30 GPM	4.07	0.61	0.63	1.125
10414-812	#12 SAE	1 1/16-12	#12 ORS	1 3/16-12	40 GPM	4.67	0.67	0.73	1.250
10414-816	#16 SAE	1 5/16-12	#16 ORS	1 7/16-12	50 GPM	5.43	0.69	0.73	1.625



Vonberg Valve, inc.

HYDRAULIC VALVE SPECIALISTS

3800 INDUSTRIAL AVE.
 ROLLING MEADOWS, IL 60008-1085
 PH: (847) 259-3800 FAX: (847) 259-3997