

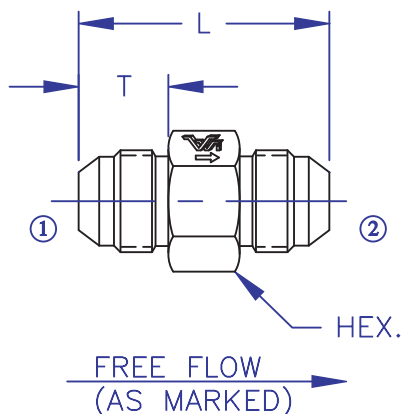


# CHECK VALVE

IN-LINE HIGH CAPACITY

1100 SERIES

POPPET TYPE  
MALE JIC



### DESCRIPTION

- AN IN-LINE STYLE, CHECK VALVE INTENDED FOR BLOCKING FLUID FLOW.

### OPERATION

- FLOW FROM "1" TO "2" IS ALLOWED WITH A STANDARD CRACK PRESSURE OF 5 PSI.
- FLOW FROM "2" TO "1" IS BLOCKED WITH A SPRING BIAS TO ASSIST IN STATIC AND LOW LOAD CONDITIONS.

### FEATURES

- STEEL BODY AND POPPET.
- FULLY ENCAPSULATED SPRING.
- NO SNAP-RING.
- LOW INTERNAL LEAKAGE, 5 DPM.
- HIGH FLOW CAPACITY.
- \* SPECIAL CRACK PRESSURES AVAILABLE UPON REQUEST.

### - SPECIFICATIONS -

HYDRAULIC SYMBOL	
OPERATING PRESSURE	3500 PSI
TEMPERATURE RANGE	250°F TO -40°F
STANDARD CRACK PRESSURE	5 PSI *
ALL DIMENSIONS IN INCHES	

### - ORDERING INFORMATION -

ASSEMBLY NUMBER	11XX-XX
SERIES NUMBER	11
THREAD SIZE	XX
CRACK PRESSURE (PSI) (IF NON-STANDARD)	

MODEL	INLET / OUTLET 1 / 2	THREAD	L	T	HEX.
1104	#4 JIC	7/16-20	1.45	0.550	0.562
1106	#6 JIC	9/16-18	1.45	0.555	0.750
1108	#8 JIC	3/4-16	1.82	0.655	0.875
1110	#10 JIC	7/8-14	2.12	0.760	1.000
1112	#12 JIC	1 1/16-12	2.45	0.860	1.250



**Vonberg Valve, inc.**  
HYDRAULIC VALVE SPECIALISTS

3800 INDUSTRIAL AVE.  
ROLLING MEADOWS, IL 60008-1085  
PH: (847) 259-3800 FAX: (847) 259-3997