

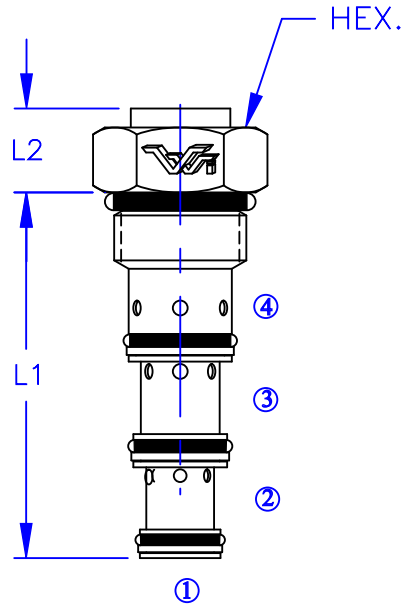


DOUBLE PILOT CHECK VALVE

1708D

CARTRIDGE

**POPPET TYPE
PILOT TO OPEN**



DESCRIPTION

- A CARTRIDGE STYLE DUAL PILOT OPERATED CHECK VALVE INTENDED FOR BLOCKING FLUID FLOW.

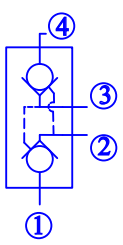
OPERATION

- FLOW FROM "2" TO "1" OR "3" TO "4" IS ALLOWED WITH A STANDARD CRACK PRESSURE OF 5 PSI.
- FLOW FROM "1" TO "2" AND "4" TO "3" IS NORMALLY BLOCKED
- THE CARTRIDGE HAS A 4:1 PILOT RATIO TO ALLOW FLOW FROM "1" TO "2".

FEATURES

- INDUSTRY COMMON CAVITY.
- LOW INTERNAL LEAKAGE, 5 DPM.
- STANDARD PILOT RATIO: 4:1
- SPECIAL PILOT RATIOS AVAILABLE UPON REQUEST.
- STEEL COMPONENTS.

- SPECIFICATIONS -

| | |
|--------------------------|---|
| HYDRAULIC SYMBOL |  |
| PRESSURE RANGE | 50 PSI TO 3500 PSI |
| TEMPERATURE RANGE | 250°F TO -40°F |
| PILOT RATIO | 4:1 |
| INTERNAL LEAKAGE | 5 DROPS / MIN. @ 3500PSI MAX. |
| ALL DIMENSIONS IN INCHES | |

- ORDERING INFORMATION -

| | |
|---------------------|--------|
| ASSEMBLY NUMBER | 17XXDX |
| SERIES NUMBER | _____ |
| PORT SIZE | _____ |
| PILOT PISTON TYPE | _____ |
| BLANK - UNSEALED | |
| "P" - O-RING SEALED | |

| MODEL | THREAD | CAVITY | RATED FLOW | L1 | L2 | HEX |
|-------|--------|--------|------------|------|------|-------|
| 1708D | 3/4-16 | 8-4 | 3.0 GPM | 2.15 | 0.36 | 0.875 |



Vonberg Valve, inc.

HYDRAULIC VALVE SPECIALISTS

3800 INDUSTRIAL AVE.

ROLLING MEADOWS, IL 60008-1085

PH: (847) 259-3800

FAX: (847) 259-3997