

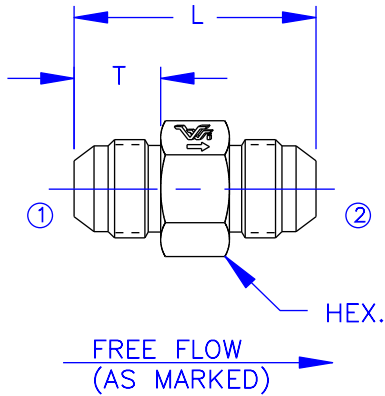


CHECK VALVE

1900 SERIES

IN-LINE

POPPET TYPE
MALE JIC



DESCRIPTION

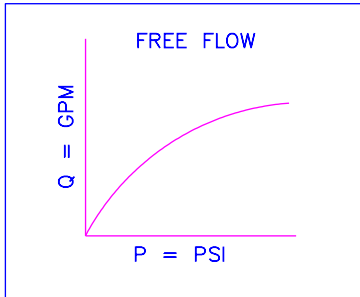
- AN IN-LINE STYLE, CHECK VALVE INTENDED FOR BLOCKING FLUID FLOW.

OPERATION

- FLOW FROM "1" TO "2" IS ALLOWED WITH A STANDARD CRACK PRESSURE OF 5 PSI.
- FLOW FROM "2" TO "1" IS BLOCKED WITH A SPRING BIAS TO ASSIST IN STATIC AND LOW LOAD CONDITIONS.

FEATURES

- STEEL BODY AND POPPET.
- LOW INTERNAL LEAKAGE, 5 DPM.
- NO INTERNAL PACKINGS.
- * SPECIAL CRACK PRESSURES AVAILABLE UPON REQUEST.



- SPECIFICATIONS -

HYDRAULIC SYMBOL	
OPERATING PRESSURE	3500 PSI
TEMPERATURE RANGE	250°F TO -40°F
STANDARD CRACK PRESSURE	5 PSI *
ALL DIMENSIONS IN INCHES	

- ORDERING INFORMATION -

ASSEMBLY NUMBER	19XX-XX
SERIES NUMBER	_____
THREAD SIZE	_____
CRACK PRESSURE (PSI) (IF NON-STANDARD)	_____

MODEL	INLET / OUTLET 1 / 2	THREAD	CAPACITY	L	T	HEX.
1904	#4 JIC	7/16-20	2 GPM	1.42	0.540	0.562
1906	#6 JIC	9/16-18	4 GPM	1.60	0.540	0.750
1908	#8 JIC	3/4-16	8 GPM	1.68	0.655	0.875
1910	#10 JIC	7/8-14	12 GPM	1.88	0.760	1.000
1912	#12 JIC	1 1/16-12	25 GPM	2.12	0.860	1.250
1916	#16 JIC	1 5/16-12	40 GPM	2.55	0.880	1.500
1920	#20 JIC	1 5/8-12	50 GPM	3.15	0.950	1.875



Vonberg Valve, inc.

HYDRAULIC VALVE SPECIALISTS

3800 INDUSTRIAL AVE.
ROLLING MEADOWS, IL 60008-1085
PH: (847) 259-3800 FAX: (847) 259-3997