

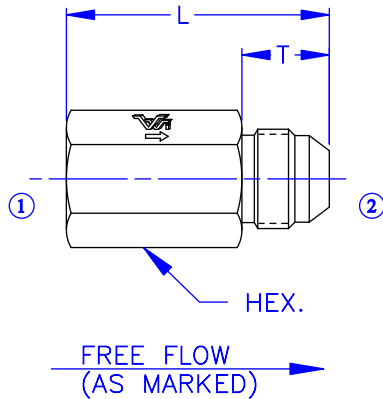


# CHECK VALVE

1900FF SERIES

IN-LINE

POPPET TYPE  
FEMALE JIC - MALE JIC



## DESCRIPTION

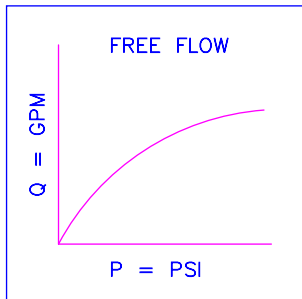
- AN IN-LINE STYLE, CHECK VALVE INTENDED FOR BLOCKING FLUID FLOW.

## OPERATION

- FLOW FROM "1" TO "2" IS ALLOWED WITH A STANDARD CRACK PRESSURE OF 5 PSI.
- FLOW FROM "2" TO "1" IS BLOCKED WITH A SPRING BIAS TO ASSIST IN STATIC AND LOW LOAD CONDITIONS.

## FEATURES

- STEEL BODY AND POPPET.
- LOW INTERNAL LEAKAGE, 5 DPM.
- NO INTERNAL PACKINGS.
- \* SPECIAL CRACK PRESSURES AVAILABLE UPON REQUEST.



## - SPECIFICATIONS -

HYDRAULIC SYMBOL	
OPERATING PRESSURE	3500 PSI
TEMPERATURE RANGE	250°F TO -40°F
STANDARD CRACK PRESSURE	5 PSI *
ALL DIMENSIONS IN INCHES	

## - ORDERING INFORMATION -

ASSEMBLY NUMBER	19XXFF-XX
SERIES NUMBER	_____
THREAD SIZE	_____
CRACK PRESSURE (PSI) (IF NON-STANDARD)	_____

MODEL	INLET / OUTLET 1 / 2	THREAD	CAPACITY	L	T	HEX.
1904FF	#4 JIC	7/16-20	2 GPM	1.718	0.505	0.652
1906FF	#6 JIC	9/16-18	4 GPM	1.938	0.545	0.750
1908FF	#8 JIC	3/4-16	8 GPM	1.875	0.635	0.938
1910FF	#10 JIC	7/8-14	12 GPM	2.375	0.760	1.125
1912FF	#12 JIC	1 1/16-12	25 GPM	2.500	0.860	1.375
1916FF	#16 JIC	1 5/16-12	40 GPM	3.188	0.880	1.625
1920FF	#20 JIC	1 5/8-12	50 GPM	4.000	0.945	2.000



**Vonberg Valve, inc.**  
HYDRAULIC VALVE SPECIALISTS

3800 INDUSTRIAL AVE.  
ROLLING MEADOWS, IL 60008-1085  
PH: (847) 259-3800 FAX: (847) 259-3997