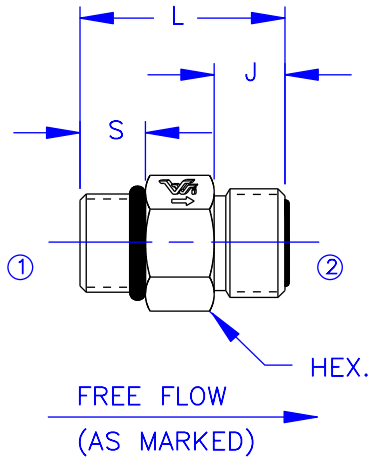




# CHECK VALVE

## IN-LINE / HIGH PRESSURE

1900K SERIES  
 POPPET TYPE  
 MALE SAE TO MALE ORS



### DESCRIPTION

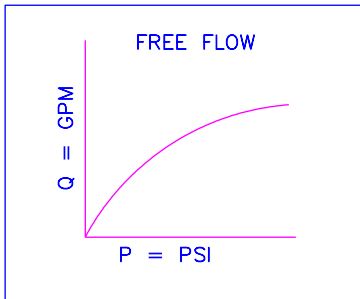
- AN IN-LINE STYLE, CHECK VALVE INTENDED FOR BLOCKING FLUID FLOW.

### OPERATION

- FLOW FROM "1" TO "2" IS ALLOWED WITH A STANDARD CRACK PRESSURE OF 5 PSI.
- FLOW FROM "2" TO "1" IS BLOCKED WITH A SPRING BIAS TO ASSIST IN STATIC AND LOW LOAD CONDITIONS.

### FEATURES

- STEEL BODY AND POPPET.
- LOW INTERNAL LEAKAGE, 5 DPM.
- NO INTERNAL PACKINGS.
- \* SPECIAL CRACK PRESSURES AVAILABLE UPON REQUEST.



- SPECIFICATIONS -	
HYDRAULIC SYMBOL	
OPERATING PRESSURE	5000 PSI
TEMPERATURE RANGE	250°F TO -40°F
STANDARD CRACK PRESSURE	5 PSI *
ALL DIMENSIONS IN INCHES	

- ORDERING INFORMATION -	
ASSEMBLY NUMBER	19XXX-XX
SERIES NUMBER	_____
THREAD SIZE	_____
CRACK PRESSURE (PSI) (IF NON-STANDARD)	_____

MODEL	INLET 1	THREAD 1	OUTLET 2	THREAD 2	CAPACITY	L	J	S	HEX.
1906K	#6 SAE	9/16-18	#6 ORS	11/16-16	4 GPM	1.20	0.44	0.47	0.750
1908K	#8 SAE	3/4-16	#8 ORS	13/16-16	8 GPM	1.42	0.50	0.55	0.875
1910K	#10 SAE	7/8-14	#10 ORS	1-14	20 GPM	1.62	0.61	0.63	1.000
1912K	#12 SAE	1 1/16-12	#12 ORS	1 3/16-12	30 GPM	2.00	0.67	0.73	1.250
1916K	#16 SAE	1 5/16-12	#16 ORS	1 7/16-12	40 GPM	2.27	0.69	0.73	1.500