

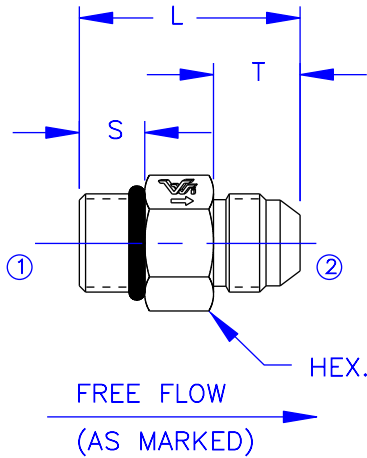


# CHECK VALVE

1900R SERIES

IN-LINE

POPPET TYPE  
MALE SAE TO MALE JIC



### DESCRIPTION

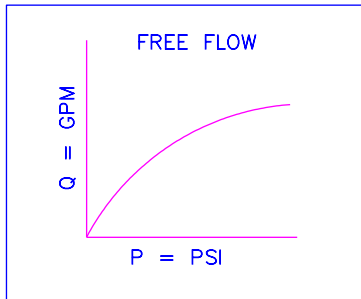
- AN IN-LINE STYLE, CHECK VALVE INTENDED FOR BLOCKING FLUID FLOW.

### OPERATION

- FLOW FROM "1" TO "2" IS ALLOWED WITH A STANDARD CRACK PRESSURE OF 5 PSI.
- FLOW FROM "2" TO "1" IS BLOCKED WITH A SPRING BIAS TO ASSIST IN STATIC AND LOW LOAD CONDITIONS.

### FEATURES

- STEEL BODY AND POPPET.
- LOW INTERNAL LEAKAGE, 5 DPM.
- NO INTERNAL PACKINGS.
- \* SPECIAL CRACK PRESSURES AVAILABLE UPON REQUEST.



- SPECIFICATIONS -	
HYDRAULIC SYMBOL	
OPERATING PRESSURE	3500 PSI
TEMPERATURE RANGE	250°F TO -40°F
STANDARD CRACK PRESSURE	5 PSI *
ALL DIMENSIONS IN INCHES	

- ORDERING INFORMATION -	
ASSEMBLY NUMBER	19XXR-XX
SERIES NUMBER	_____
THREAD SIZE	_____
CRACK PRESSURE (PSI) (IF NON-STANDARD)	_____

MODEL	INLET 1	OUTLET 2	CAPACITY	THREAD	L	T	S	HEX.
1904R	#4 SAE	#4 JIC	2 GPM	7/16-20	1.23	0.540	0.360	0.562
1906R	#6 SAE	#6 JIC	4 GPM	9/16-18	1.45	0.540	0.390	0.750
1908R	#8 SAE	#8 JIC	8 GPM	3/4-16	1.47	0.655	0.440	0.875
1910R	#10 SAE	#10 JIC	12 GPM	7/8-14	1.62	0.760	0.500	1.000
1912R	#12 SAE	#12 JIC	25 GPM	1 1/16-12	1.85	0.860	0.594	1.250
1916R	#16 SAE	#16 JIC	40 GPM	1 5/16-12	2.27	0.880	0.594	1.500
1920R	#20 SAE	#20 JIC	50 GPM	1 5/8-12	2.75	0.950	0.594	1.875



Vonberg Valve, inc.

HYDRAULIC VALVE SPECIALISTS

3800 INDUSTRIAL AVE.  
ROLLING MEADOWS, IL 60008-1085  
PH: (847) 259-3800 FAX: (847) 259-3997