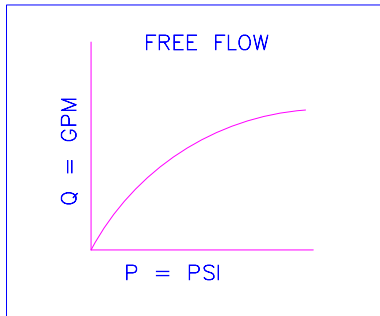
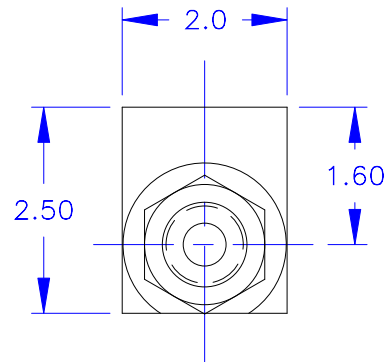
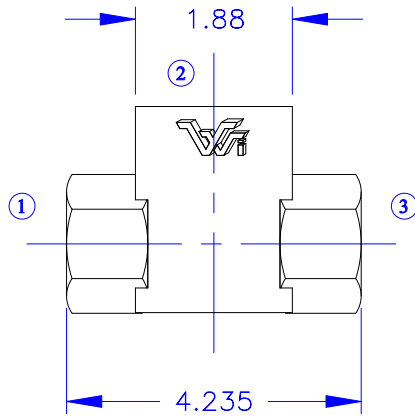




SHUTTLE VALVE

65135 SERIES

BALL TYPE
FEMALE NPTF OR SAE



DESCRIPTION

– A SHUTTLE VALVE, FOR USE IN CIRCUITS WHERE THE PRIORITY OF FLOW DIRECTION IS GRANTED TO THE GREATER OF TWO INLETS.

OPERATION

- FLOW FROM "1" OR "3" TO "2" IS ALLOWED.
- FLOW FROM "1" TO "3" IS BLOCKED.
- FLOW FROM "3" TO "1" IS BLOCKED.

FEATURES

- STEEL BODY.
- HARDENED STEEL SEATS.
- CHROME BALL.
- NO INTERNAL PACKINGS.

– SPECIFICATIONS –	
HYDRAULIC SYMBOL	
OPERATING PRESSURE	5000 PSI
TEMPERATURE RANGE	250°F TO -40°F
ALL DIMENSIONS IN INCHES	

PORT ID.	PORT SIZE
4	1/2-14 NPTF
6	3/4-14 NPTF
10T	#10 SAE 7/8-14 THD
12T	#12 SAE 1 1/16-12 THD

– ORDERING INFORMATION –	
ASSEMBLY NUMBER	65135-XX-ZZ**
SERIES NUMBER	_____
INLET PORTS	_____
OUTLET PORT	_____

** WHEN INLET AND OUTLET PORTS MATCH, ONLY ONE SUFFIX IS NECESSARY



Vonberg Valve, inc.

HYDRAULIC VALVE SPECIALISTS

3800 INDUSTRIAL AVE.
ROLLING MEADOWS, IL 60008-1085
PH: (847) 259-3800 FAX: (847) 259-3997