

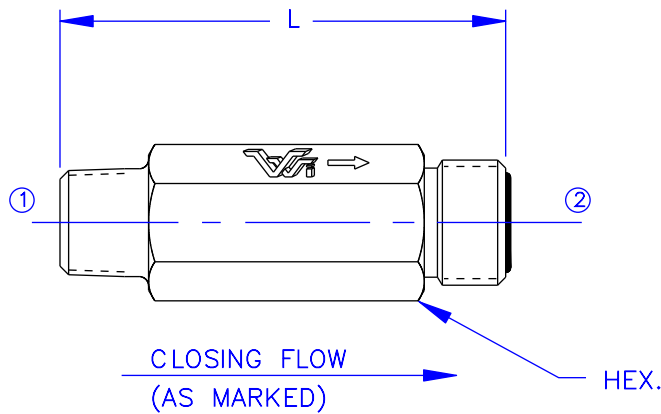


# FLOW LIMITER

28059-500 SERIES

IN-LINE

MALE NPTF TO  
MALE ORS CONNECTION



### DESCRIPTION

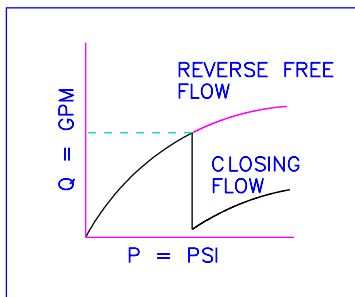
- AN IN-LINE FLOW LIMITER WITH A MALE NPTF INLET AND A MALE ORS OUTLET THAT PREVENTS FREE FALL IN THE EVENT OF A LINE FAILURE BUT ALLOWS A METERED FLOW AFTER CLOSING.

### OPERATION

- A FLOW BELOW THE SPECIFIED LIMIT IS ALLOWED FROM "1" TO "2".
- FLOW ABOVE THE SPECIFIED LIMIT IS ASSUMED TO BE A LINE FAILURE AND IS LIMITED.
- BLEED RATE AFTER CLOSING IS 2.0 - 3.0 GPM AT 3500 PSI.
- FLOW FROM "2" TO "1" PASSES THRU THE CONTROLLING ORIFICE BUT IS UNCONTROLLED.
- CLOSING FLOW TOLERANCE = +15%/-0%.

### FEATURES

- STEEL COMPONENTS.
- NON-STANDARD BLEED FLOW RATES ARE AVAILABLE UPON REQUEST.
- RAPID RESPONSE.



### - SPECIFICATIONS -

HYDRAULIC SYMBOL	
OPERATING PRESSURE	3500 PSI
TEMPERATURE RANGE	250°F TO -40°F
REOPENING DIFFERENTIAL	50 PSI
ALL DIMENSIONS IN INCHES	

### - ORDERING INFORMATION -

ASSEMBLY NUMBER	28059-5XX-XX
SERIES NUMBER	_____
PORT SIZE	_____
CLOSING FLOW (GPM)	_____

MODEL	CONN. 1	CONN. 2	FLOW RANGE	L	HEX.
28059-502	1/4-18 NPTF	#4 ORS 9/16-18	0.1 - 4.0 GPM	2.30	0.625
28059-503	3/8-18 NPTF	#6 ORS 11/16-16	0.5 - 10.0 GPM	2.30	0.750
28059-504	1/2-14 NPTF	#8 ORS 13/16-16	1.0 - 25.0 GPM	2.34	0.875
28059-506	3/4-14 NPTF	#12 ORS 1 3/16-12	2.0 - 40.0 GPM	2.75	1.250
28059-508	1-11 1/2 NPTF	#16 ORS 1 7/16-12	2.0 - 50.0 GPM	3.25	1.375
28059-512	1 1/2-11 1/2 NPTF	#24 ORS 2-12	5.0 - 80.0 GPM	4.85	2.000



Vonberg Valve, inc.

HYDRAULIC VALVE SPECIALISTS

3800 INDUSTRIAL AVE.  
ROLLING MEADOWS, IL 60008-1085  
PH: (847) 259-3800 FAX: (847) 259-3997