

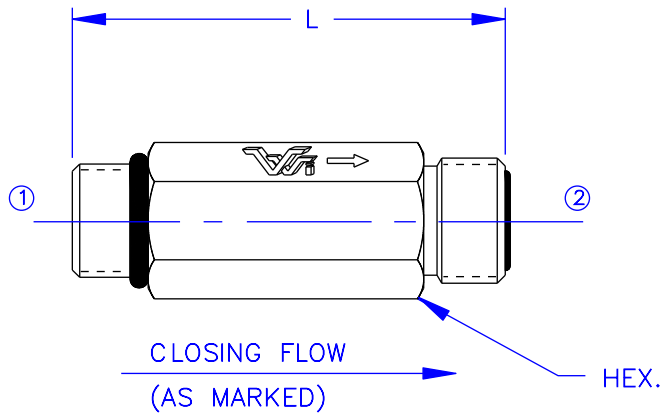


FLOW LIMITER

28059-800 SERIES

IN-LINE

MALE SAE TO
MALE ORS CONNECTION



DESCRIPTION

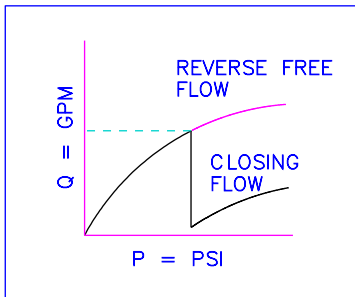
- AN IN-LINE FLOW LIMITER WITH A MALE SAE INLET AND A MALE ORS OUTLET THAT PREVENTS FREE FLOW IN THE EVENT OF A LINE FAILURE BUT ALLOWS A METERED FLOW AFTER CLOSING.

OPERATION

- A FLOW BELOW THE SPECIFIED LIMIT IS ALLOWED FROM "1" TO "2".
- FLOW ABOVE THE SPECIFIED LIMIT IS ASSUMED TO BE A LINE FAILURE AND IS LIMITED.
- BLEED RATE AFTER CLOSING IS 2.0 - 3.0 GPM AT 3500 PSI.
- FLOW FROM "2" TO "1" PASSES THRU THE CONTROLLING ORIFICE BUT IS UNCONTROLLED.
- CLOSING FLOW TOLERANCE= +15%/-0%.

FEATURES

- STEEL COMPONENTS.
- NON-STANDARD BLEED FLOW RATES ARE AVAILABLE UPON REQUEST.
- RAPID RESPONSE.



- SPECIFICATIONS -

HYDRAULIC SYMBOL	
OPERATING PRESSURE	3500 PSI
TEMPERATURE RANGE	250°F TO -40°F
REOPENING DIFFERENTIAL	50 PSI
ALL DIMENSIONS IN INCHES	

- ORDERING INFORMATION -

ASSEMBLY NUMBER	28059-8XX-XX
SERIES NUMBER	_____
PORT SIZE	_____
CLOSING FLOW (GPM)	_____

MODEL	CONN. 1	CONN. 2	FLOW RANGE	L	HEX.
28059-806	#6 SAE 9/16-18	#6 ORS 11/16-16	0.1 - 4.0 GPM	1.60	0.750
28059-808	#8 SAE 3/4-16	#8 ORS 13/16-16	0.5 - 10.0 GPM	1.75	0.875
28059-810	#10 SAE 7/8-14	#10 ORS 1-14	1.0 - 25.0 GPM	1.90	1.125
28059-812	#12 SAE 1 1/16-12	#12 ORS 1 3/16-12	2.0 - 40.0 GPM	2.00	1.250
28059-816	#16 SAE 1 5/16-12	#16 ORS 1 7/16-12	2.0 - 50.0 GPM	2.40	1.500
28059-824	#24 SAE 1 7/8-12	#24 ORS 2-12	5.0 - 80.0 GPM	3.25	2.125



Vonberg Valve, inc.

HYDRAULIC VALVE SPECIALISTS

3800 INDUSTRIAL AVE.
ROLLING MEADOWS, IL 60008-1085
PH: (847) 259-3800 FAX: (847) 259-3997