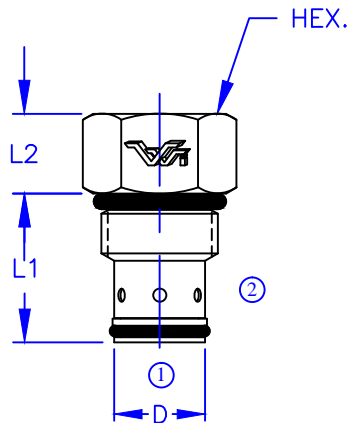




FLOW LIMITER CARTRIDGE

8200 SERIES



DESCRIPTION

- A CARTRIDGE STYLE FLOW LIMITER THAT PREVENTS FREE FALL IN THE EVENT OF A LINE FAILURE BUT ALLOWS A METERED FLOW AFTER CLOSING.

OPERATION

- A FLOW BELOW THE SPECIFIED LIMIT IS ALLOWED FROM "1" TO "2".
- FLOW ABOVE THE SPECIFIED LIMIT IS ASSUMED TO BE A LINE FAILURE AND IS LIMITED.
- BLEED RATE AFTER CLOSING IS 2.0 - 3.0 GPM AT 3000 PSI.
- FLOW FROM "2" TO "1" PASSES THRU THE CONTROLLING ORIFICE BUT IS UNCONTROLLED.
- CLOSING FLOW TOLERANCE= +15%/-0%.

FEATURES

- INDUSTRY COMMON CAVITY.
- STEEL COMPONENTS.
- NON-STANDARD BLEED FLOW RATES ARE AVAILABLE UPON REQUEST.
- RAPID RESPONSE.
- POSITIVE CLOSE.

- SPECIFICATIONS -

HYDRAULIC SYMBOL	
OPERATING PRESSURE	3500 PSI
TEMPERATURE RANGE	250°F TO -40°F
REOPENING DIFFERENTIAL	50 PSI
ALL DIMENSIONS IN INCHES	

- ORDERING INFORMATION -

ASSEMBLY NUMBER	82XX-XX
SERIES NUMBER	_____
PORT SIZE	_____
CLOSING FLOW (GPM)	_____

MODEL	THREAD	CAVITY	RATED FLOW	L1	L2	D	HEX
NEW 8204	7/16-20	4-2	0.2 - 2 GPM	0.94	0.55	.279/.277	0.56
NEW 8206	9/16-18	6-2	0.5 - 3 GPM	0.84	0.53	.468/.467	0.69
8208	3/4-16	8-2	0.2 - 5 GPM	1.10	0.50	.497/.495	0.88
8210	7/8-14	10-2	0.5 - 8 GPM	1.25	0.75	.623/.621	1.00
8212	1 1/16-12	12-2	1.0 - 15 GPM	1.81	0.75	.873/.870	1.25
8216	1 5/16-12	16-2	2.0 - 25 GPM	1.75	0.75	1.123/1.121	1.50



Vonberg Valve, inc.

HYDRAULIC VALVE SPECIALISTS

3800 INDUSTRIAL AVE.
ROLLING MEADOWS, IL 60008-1085
PH: (847) 259-3800 FAX: (847) 259-3997