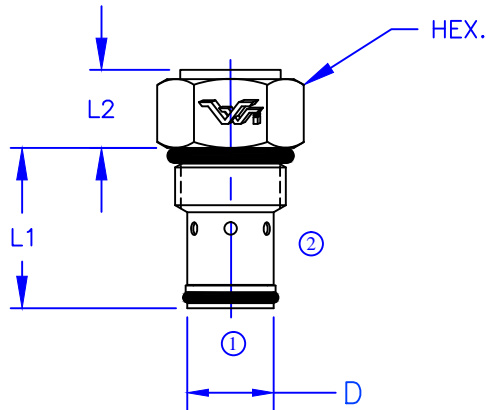




FLOW REGULATOR CARTRIDGE

2400 SERIES



DESCRIPTION

- A CARTRIDGE STYLE, PRESSURE-COMPENSATED, NONADJUSTABLE FLOW REGULATOR, INTENDED FOR FIXED DISPLACEMENT HYDRAULIC CIRCUIT APPLICATIONS.

OPERATION

- THIS REGULATOR WILL MAINTAIN A CONSTANT FLOW RATE FROM "1" TO "2" THROUGHOUT A SPECIFIED PRESSURE RANGE.
- REVERSE FLOW PASSES THROUGH THE CONTROLLING ORIFICE AND IS UNCONTROLLED PRODUCING A PRESSURE DIFFERENTIAL OF 120 PSI MAX. AT 150% OF CONTROLLED FLOW.

FEATURES

- **S.I.D.** SURGES INTERNALLY DAMPENED FEATURE IS OPTIONAL FOR LOAD LOWERING APPLICATIONS.
- STEEL BODY, STEEL INTERNALS.
- HYDRAULIC FLUIDS - GENERAL.
- INDUSTRY COMMON CAVITY.

- SPECIFICATIONS -

HYDRAULIC SYMBOL	
PRESSURE RANGE	50 PSI TO 3500 PSI
TEMPERATURE RANGE	250°F TO -40°F
FLOW TOLERANCE *	±10%
ALL DIMENSIONS IN INCHES	

* FLOW TOLERANCE FOR 1.5 GPM AND BELOW IS ±15%

- ORDERING INFORMATION -

ASSEMBLY NUMBER	24XX-X-XX
SERIES NUMBER	24
PORT SIZE	X
UNDAMPENED - BLANK	
DAMPENED (S.I.D.) - 1	1
REGULATED FLOW RATE (GPM)	XX

MODEL	THREAD	CAVITY	FLOW RANGE	L1	L2	D	HEX
NEW 2404	7/16-20	4-2	0.5 - 2.0 GPM	0.94	0.55	.279/.277	0.56
NEW 2406	9/16-18	6-2	0.5 - 3.0 GPM	0.84	0.53	.468/.467	0.69
2408	3/4-16	8-2	0.5 - 8.0 GPM	1.10	0.85	.497/.495	0.88
2410	7/8-14	10-2	0.5 - 10.0 GPM	1.25	0.80	.623/.621	1.00
2412	1 1/16-12	12-2	2.0 - 20.0 GPM	1.81	1.35	.873/.870	1.25
2416	1 5/16-12	16-2	2.0 - 30.0 GPM	1.75	1.35	1.123/1.121	1.50



Vonberg Valve, inc.
HYDRAULIC VALVE SPECIALISTS

3800 INDUSTRIAL AVE.
ROLLING MEADOWS, IL 60008-1085
PH: (847) 259-3800 FAX: (847) 259-3997