

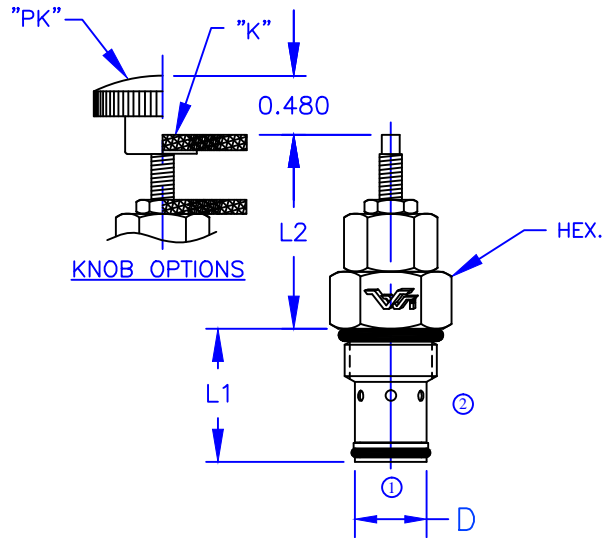


# FLOW REGULATOR

2600 SERIES

CARTRIDGE

FULLY ADJUSTABLE



## DESCRIPTION

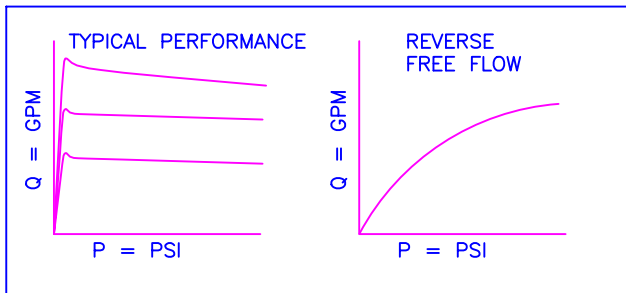
- A CARTRIDGE STYLE, PRESSURE-COMPENSATED, FULLY ADJUSTABLE FLOW REGULATOR, INTENDED FOR FIXED DISPLACEMENT HYDRAULIC CIRCUIT APPLICATIONS.

## OPERATION

- THIS REGULATOR WILL MAINTAIN A CONSTANT FLOW RATE FROM "1" TO "2" THROUGHOUT A SPECIFIED PRESSURE RANGE.
- REVERSE FLOW PASSES THROUGH THE CONTROLLING ORIFICE AND IS UNCONTROLLED PRODUCING A PRESSURE DIFFERENTIAL OF 120 PSI MAX. AT 150% OF CONTROLLED FLOW.

## FEATURES

- **S.I.D.** SURGES INTERNALLY DAMPENED FEATURE IS OPTIONAL FOR LOAD LOWERING APPLICATIONS.
- FULLY ADJUSTABLE.
- STEEL BODY, STEEL INTERNALS.
- HYDRAULIC FLUIDS - GENERAL.
- INDUSTRY COMMON CAVITY.



- SPECIFICATIONS -	
HYDRAULIC SYMBOL	
PRESSURE RANGE	50 PSI TO 3500 PSI
TEMPERATURE RANGE	250°F TO -40°F
FLOW TOLERANCE*	±10%
ALL DIMENSIONS IN INCHES	

\* FLOW TOLERANCE FOR 1.5 GPM AND BELOW IS ±15%

- ORDERING INFORMATION -	
ASSEMBLY NUMBER	26XXX-X-XX
SERIES NUMBER	_____
PORT SIZE	_____
ADJUSTING SCREW	_____
-BLANK=	1/8" SOCKET HEX ** WITH LOCK NUT
-"K"=	1.50" DIA. ADJ. KNOB WITH LOCKING KNOB **
-"PK"=	1.38" DIA. PLASTIC ADJ. KNOB WITH LOCK NUT
UNDAMPENED - BLANK	_____
DAMPENED (S.I.D.) - 1	_____
OPTIONAL FACTORY SET	_____
REGULATED FLOW RATE (GPM)	_____

\*\* 5/64 HEX, 0.88 DIA KNOB FOR 2606

MODEL	THREAD	CAVITY	FLOW RANGE	L1	L2	D	HEX
<b>NEW</b> 2606	9/16-18	6-2	0.5 - 3.0 GPM	0.84	1.08	.468/.467	0.69
2608	3/4-16	8-2	0.5 - 8.0 GPM	1.10	2.20	.497/.495	0.88
2610	7/8-14	10-2	0.5 - 10.0 GPM	1.25	2.25	.623/.621	1.00
2612	1 1/16-12	12-2	2.0 - 20.0 GPM	1.81	2.75	.873/.870	1.25
2616	1 5/16-12	16-2	2.0 - 30.0 GPM	1.75	2.75	1.123/1.121	1.50



**Vonberg Valve, inc.**

HYDRAULIC VALVE SPECIALISTS

3800 INDUSTRIAL AVE.  
 ROLLING MEADOWS, IL 60008-1085  
 PH: (847) 259-3800 FAX: (847) 259-3997