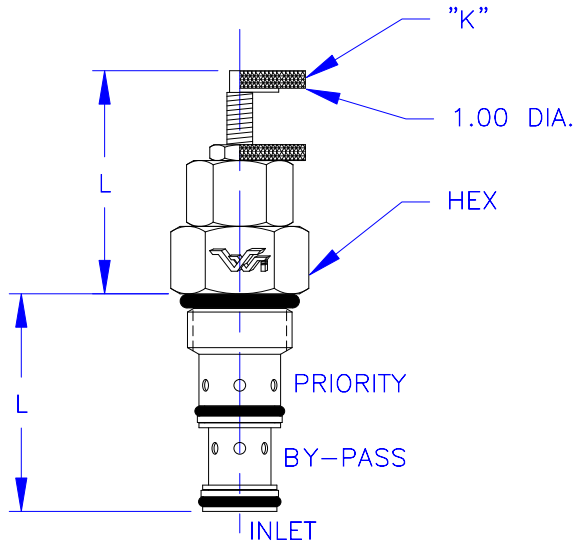




PRIORITY FLOW REGULATOR

2700 SERIES
CARTRIDGE
FULLY ADJUSTABLE



DESCRIPTION

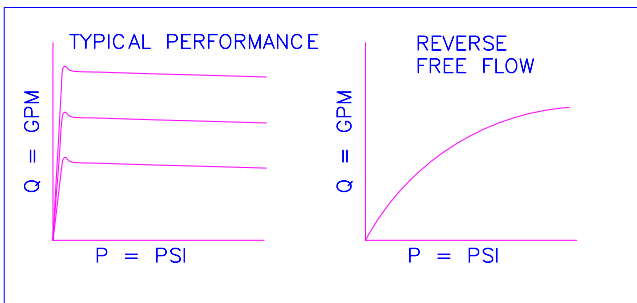
- A CARTRIDGE STYLE, PRESSURE-COMPENSATED, FULLY ADJUSTABLE PRIORITY FLOW REGULATOR, INTENDED FOR FIXED DISPLACEMENT HYDRAULIC CIRCUIT APPLICATIONS.

OPERATION

- THIS REGULATOR WILL MAINTAIN A CONSTANT FLOW RATE FROM INLET TO PRIORITY THROUGHOUT A SPECIFIED PRESSURE RANGE.
- WHEN THE INLET FLOW EXCEEDS THE PRIORITY SETTING, THE SURPLUS FLUID IS DIVERTED TO THE BY-PASS.

FEATURES

- **S.I.D.** SURGES INTERNALLY DAMPENED FEATURE IS OPTIONAL FOR LOAD LOWERING APPLICATIONS.
- FULLY ADJUSTABLE.
- STEEL BODY, STEEL INTERNALS.
- HYDRAULIC FLUIDS - GENERAL.
- INDUSTRY COMMON CAVITY.



- SPECIFICATIONS -	
HYDRAULIC SYMBOL	
PRESSURE RANGE	50 PSI TO 3500 PSI
TEMPERATURE RANGE	250°F TO -40°F
FLOW TOLERANCE	±10
ALL DIMENSIONS IN INCHES	

- ORDERING INFORMATION -	
ASSEMBLY NUMBER	27XXX-X-XX
SERIES NUMBER	27
PORT SIZE	X
ADJUSTING SCREW	XX
-BLANK=	1/8" SOCKET HEX WITH LOCK NUT
-"K"=	1" DIA. ADJ. KNOB WITH LOCKING KNOB
UNDAMPENED - BLANK	
DAMPENED (S.I.D.) - 1	
OPTIONAL FACTORY SET	
REGULATED FLOW RATE (GPM)	

MODEL	THREAD	CAVITY	FLOW RANGE	L	L	HEX
2708	3/4-16	8-3	0.2 - 5.0 GPM	1.6	1.9	0.875
2710	7/8-14	10-3	0.5 - 8.0 GPM	1.7	1.7	1.0
2712	1 1/16-12	12-3	1.0 - 15.0 GPM	2.6	2.3	1.2
2716	1 5/16-12	16-3	2.0 - 25.0 GPM	2.8	2.0	1.5



Vonberg Valve, inc.
HYDRAULIC VALVE SPECIALISTS

3800 INDUSTRIAL AVE.
ROLLING MEADOWS, IL 60008-1085
PH: (847) 259-3800 FAX: (847) 259-3997