

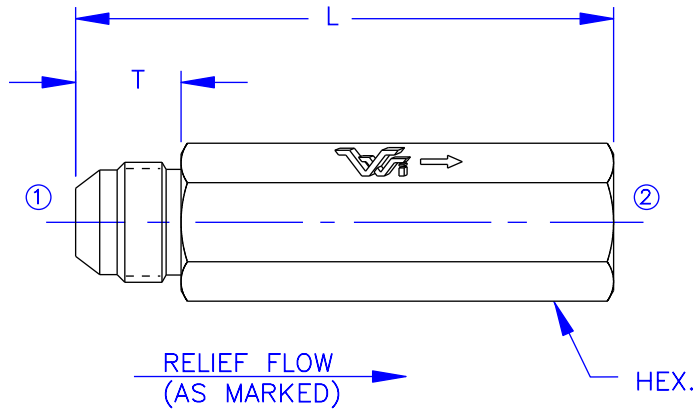


RELIEF VALVE

40300-600 SERIES

IN-LINE

MALE JIC TO FEMALE O-RING
CONNECTIONS



DESCRIPTION

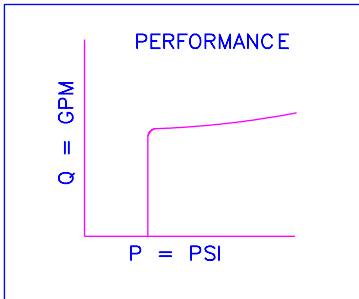
- AN IN-LINE RELIEF VALVE WITH MALE JIC INLET AND FEMALE O-RING PORT OUTLET THAT LIMITS MAXIMUM SYSTEM PRESSURE OR MAINTAINS A DESIRED PRESSURE WITHIN A CIRCUIT.

OPERATION

- FLOW FROM "1" TO "2" IS BLOCKED UNTIL THE SPECIFIED RELIEF PRESSURE SETTING HAS BEEN EXCEEDED.
- FLOW FROM "2" TO "1" IS ALWAYS BLOCKED.

FEATURES

- STEEL COMPONENTS.
- CHROME STEEL BALL / HARDENED SEAT.
- LOW INTERNAL LEAKAGE.



- SPECIFICATIONS -

HYDRAULIC SYMBOL	
OPERATING PRESSURE	5000 PSI
TEMPERATURE RANGE	250°F TO -40°F
RELIEF TOLERANCE	±10%
ALL DIMENSIONS IN INCHES	

- ORDERING INFORMATION -

ASSEMBLY NUMBER	4030X-60X-XX
SERIES NUMBER	4030X
PRESSURE RANGE	60X
1=10-150 PSI	
2=160-1000 PSI	
3=800-3000 PSI	
4=3000-4000 PSI	
5=4000-5000 PSI	
MALE JIC / FEMALE O-RING	
THREAD SIZE	
RELIEF PRESSURE (PSI)	

MODEL	INLET 1	OUTLET 2	L	T	HEX.
4030X-604	#4 JIC 37"	#4 SAE O-RING	3.20	0.55	0.625
4030X-606	#6 JIC 37"	#6 SAE O-RING	3.56	0.56	0.750
4030X-608	#8 JIC 37"	#8 SAE O-RING	3.70	0.66	0.938



Vonberg Valve, inc.
HYDRAULIC VALVE SPECIALISTS

3800 INDUSTRIAL AVE.
ROLLING MEADOWS, IL 60008-1085
PH: (847) 259-3800 FAX: (847) 259-3997