

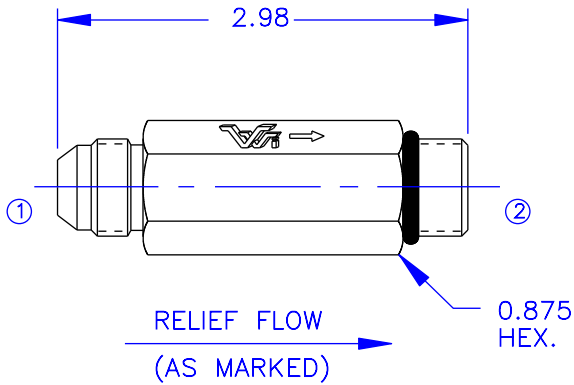


RELIEF VALVE

40311-608 SERIES

IN-LINE

DIRECT ACTING
#8 MALE JIC TO MALE SAE



DESCRIPTION

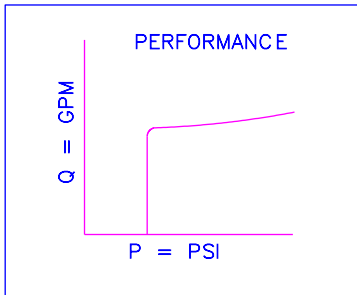
- AN IN-LINE RELIEF VALVE WITH MALE JIC INLET AND MALE O-RING OUTLET THAT LIMITS MAXIMUM SYSTEM PRESSURE OR MAINTAINS A DESIRED PRESSURE WITHIN A CIRCUIT.

OPERATION

- FLOW FROM "1" TO "2" IS BLOCKED UNTIL THE SPECIFIED RELIEF PRESSURE SETTING HAS BEEN EXCEEDED.
- FLOW FROM "2" TO "1" IS ALWAYS BLOCKED.

FEATURES

- STEEL COMPONENTS.
- CHROME STEEL BALL / HARDENED SEAT.
- LOW INTERNAL LEAKAGE.



- SPECIFICATIONS -	
HYDRAULIC SYMBOL	
OPERATING PRESSURE	5000 PSI
TEMPERATURE RANGE	250°F TO -40°F
RELIEF TOLERANCE	±10%
ALL DIMENSIONS IN INCHES	

- ORDERING INFORMATION -	
ASSEMBLY NUMBER	4031X-608-XXXX
SERIES NUMBER	
PRESSURE RANGE	
1=	10-150 PSI
2=	160-1000 PSI
3=	800-3000 PSI
4=	3000-4000 PSI
5=	4000-5000 PSI
RELIEF PRESSURE (PSI)	