

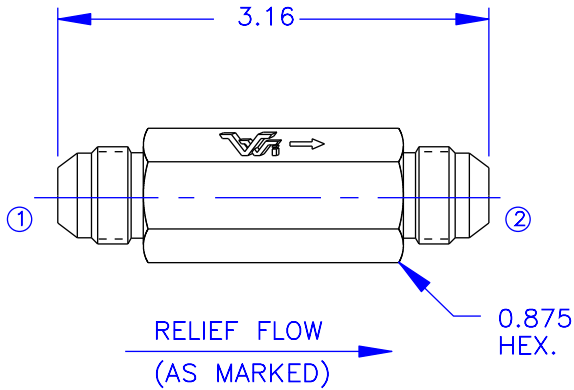


RELIEF VALVE

40331-608 SERIES

IN-LINE

DIRECT ACTING
#8 MALE JIC TO MALE JIC



DESCRIPTION

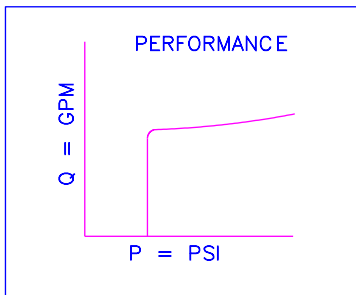
- AN IN-LINE RELIEF VALVE WITH MALE JIC CONNECTIONS THAT LIMITS MAXIMUM SYSTEM PRESSURE OR MAINTAINS A DESIRED PRESSURE WITHIN A CIRCUIT.

OPERATION

- FLOW FROM "1" TO "2" IS BLOCKED UNTIL THE SPECIFIED RELIEF PRESSURE SETTING HAS BEEN EXCEEDED.
- FLOW FROM "2" TO "1" IS ALWAYS BLOCKED.

FEATURES

- STEEL COMPONENTS.
- CHROME STEEL BALL / HARDENED SEAT.
- LOW INTERNAL LEAKAGE.



- SPECIFICATIONS -	
HYDRAULIC SYMBOL	
OPERATING PRESSURE	5000 PSI
TEMPERATURE RANGE	250°F TO -40°F
RELIEF TOLERANCE	±10%
ALL DIMENSIONS IN INCHES	

- ORDERING INFORMATION -	
ASSEMBLY NUMBER	4033X-608-XXXX
SERIES NUMBER	
PRESSURE RANGE	
1=10-150 PSI	
2=160-1000 PSI	
3=800-3000 PSI	
4=3000-4000 PSI	
5=4000-5000 PSI	
RELIEF PRESSURE (PSI)	



Vonberg Valve, inc.

HYDRAULIC VALVE SPECIALISTS

3800 INDUSTRIAL AVE.
ROLLING MEADOWS, IL 60008-1085
PH: (847) 259-3800 FAX: (847) 259-3997