

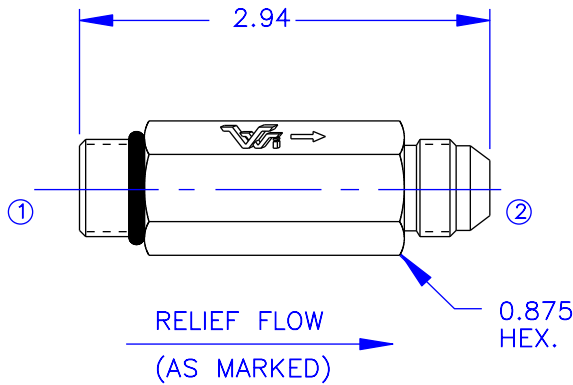


RELIEF VALVE

40331-808 SERIES

IN-LINE

DIRECT ACTING
#8 MALE SAE TO MALE JIC



DESCRIPTION

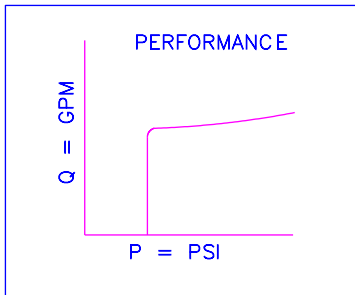
- AN IN-LINE RELIEF VALVE WITH MALE O-RING INLET AND MALE JIC OUTLET THAT LIMITS MAXIMUM SYSTEM PRESSURE OR MAINTAINS A DESIRED PRESSURE WITHIN A CIRCUIT.

OPERATION

- FLOW FROM "1" TO "2" IS BLOCKED UNTIL THE SPECIFIED RELIEF PRESSURE SETTING HAS BEEN EXCEEDED.
- FLOW FROM "2" TO "1" IS ALWAYS BLOCKED.

FEATURES

- STEEL COMPONENTS.
- CHROME STEEL BALL / HARDENED SEAT.
- LOW INTERNAL LEAKAGE.



- SPECIFICATIONS -

HYDRAULIC SYMBOL	
OPERATING PRESSURE	5000 PSI
TEMPERATURE RANGE	250°F TO -40°F
RELIEF TOLERANCE	±10%
ALL DIMENSIONS IN INCHES	

- ORDERING INFORMATION -

ASSEMBLY NUMBER 4033X-808-XX

SERIES NUMBER

PRESSURE RANGE

1=10-150 PSI

2=160-1000 PSI

3=800-3000 PSI

4=3000-4000 PSI

5=4000-5000 PSI

RELIEF PRESSURE (PSI)