

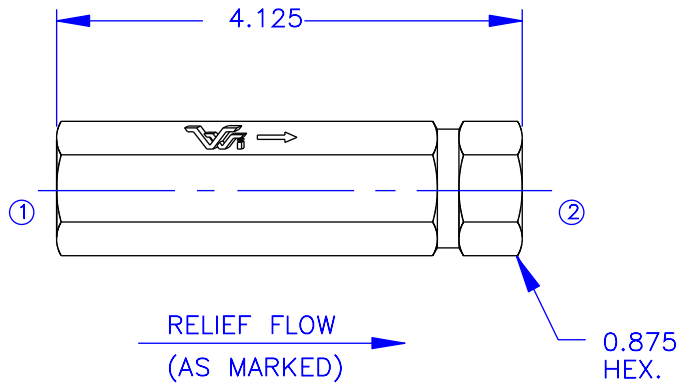


RELIEF VALVE

IN-LINE WITH
FREE REVERSE FLOW

49000-208 SERIES

DIRECT ACTING
#8 SAE O-RING PORT



DESCRIPTION

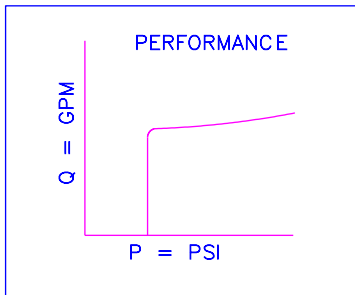
- AN IN-LINE RELIEF VALVE WITH FREE REVERSE FLOW THAT LIMITS MAXIMUM SYSTEM PRESSURE OR ALLOWS SEQUENCING OF PRESSURES WITHIN A CIRCUIT.

OPERATION

- FLOW FROM "1" TO "2" IS BLOCKED UNTIL THE SPECIFIED RELIEF PRESSURE SETTING HAS BEEN EXCEEDED.
- FLOW FROM "2" TO "1" IS UNRESTRICTED WITH A 5-10 PSI CRACK PRESSURE.

FEATURES

- STEEL AND ALUMINUM COMPONENTS.
- LOW INTERNAL LEAKAGE.
- INTERNAL PACKING - BUNA N.
- LOW PRESSURE DROP.



- SPECIFICATIONS -	
HYDRAULIC SYMBOL	
OPERATING PRESSURE	3000 PSI
TEMPERATURE RANGE	250°F TO -40°F
RATED FLOW	15 GPM
RELIEF TOLERANCE	±10%
ALL DIMENSIONS IN INCHES	

- ORDERING INFORMATION -	
ASSEMBLY NUMBER	49000-208-XXX
SERIES NUMBER	_____
PORT SIZE	_____
FEMALE SAE RELIEF PRESSURE	_____
	10 - 150 (PSI)*

- *- AVAILABLE IN 10 PSI INCREMENTS UP TO A MAXIMUM OF 150 PSI.
- FOR HIGHER PRESSURE APPLICATIONS SEE 49005 SERIES.