

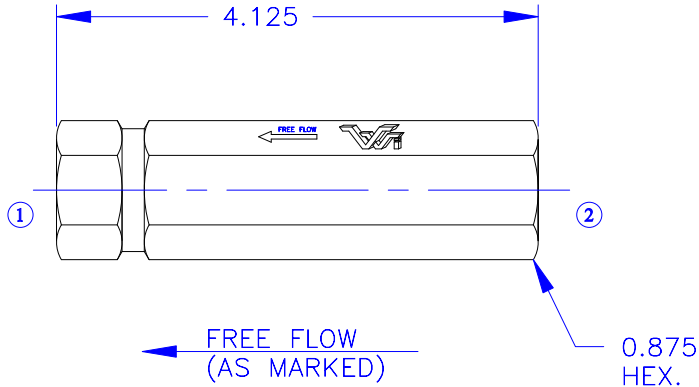


RELIEF VALVE

IN-LINE WITH
FREE REVERSE FLOW

49005 SERIES

DIRECT ACTING
3/8 NPTF TO 3/8 NPTF



DESCRIPTION

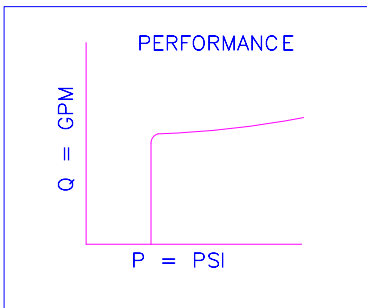
- AN IN-LINE RELIEF VALVE WITH FREE REVERSE FLOW THAT LIMITS MAXIMUM SYSTEM PRESSURE OR ALLOWS SEQUENCING OF PRESSURES WITHIN A CIRCUIT.

OPERATION

- FLOW FROM "1" TO "2" IS BLOCKED UNTIL THE SPECIFIED RELIEF PRESSURE SETTING HAS BEEN EXCEEDED.
- FLOW FROM "2" TO "1" IS UNRESTRICTED WITH A 5-10 PSI CRACK PRESSURE.

FEATURES

- STEEL AND ALUMINUM COMPONENTS.
- LOW INTERNAL LEAKAGE.
- INTERNAL PACKING - BUNA N.
- LOW PRESSURE DROP.



- SPECIFICATIONS -	
HYDRAULIC SYMBOL	
OPERATING PRESSURE	3000 PSI
TEMPERATURE RANGE	250°F TO -40°F
RELIEF TOLERANCE	±10%
ALL DIMENSIONS IN INCHES	

- ORDERING INFORMATION -	
ASSEMBLY NUMBER	49005-XXXX
SERIES NUMBER	
RELIEF PRESSURE	100 - 1000 (PSI)*

PRESSURE RANGE	RATED FLOW
100 PSI - 200 PSI	12 GPM
200 PSI - 350 PSI	8 GPM
350 PSI - 600 PSI	5 GPM
600 PSI - 1000 PSI	2 GPM

- *- AVAILABLE IN 50 PSI INCREMENTS 100 - 500 PSI.
- AVAILABLE IN 100 PSI INCREMENTS 500 - 1000 PSI.
- FOR LOW PRESSURE APPLICATIONS SEE 49000.



Vonberg Valve, inc.

HYDRAULIC VALVE SPECIALISTS

3800 INDUSTRIAL AVE.
ROLLING MEADOWS, IL 60008-1085
PH: (847) 259-3800 FAX: (847) 259-3997