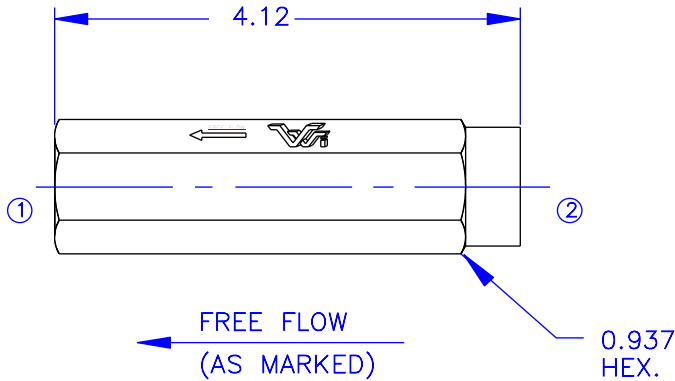




RELIEF VALVE IN-LINE WITH FREE REVERSE FLOW

49040 SERIES
DIFFERENTIAL AREA
#8 SAE O-RING PORT



DESCRIPTION

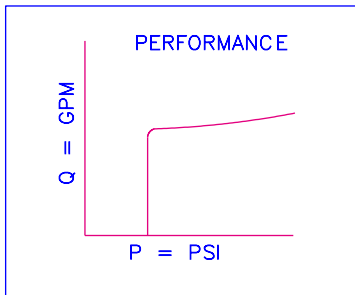
- AN IN-LINE RELIEF VALVE WITH FREE REVERSE FLOW THAT LIMITS MAXIMUM SYSTEM PRESSURE OR ALLOWS SEQUENCING OF PRESSURES WITHIN A CIRCUIT.

OPERATION

- FLOW FROM "1" TO "2" IS BLOCKED UNTIL THE SPECIFIED RELIEF PRESSURE SETTING HAS BEEN EXCEEDED.
- FLOW FROM "2" TO "1" IS UNRESTRICTED WITH A 5-10 PSI CRACK PRESSURE.

FEATURES

- STEEL AND ALUMINUM COMPONENTS.
- LOW INTERNAL LEAKAGE.
- INTERNAL PACKING - BUNA N.
- LOW PRESSURE DROP.



- SPECIFICATIONS -	
HYDRAULIC SYMBOL	
OPERATING PRESSURE	3000 PSI
TEMPERATURE RANGE	250°F TO -40°F
FLOW RANGE	20 GPM
RELIEF TOLERANCE	±10%
ALL DIMENSIONS IN INCHES	

- ORDERING INFORMATION -	
ASSEMBLY NUMBER	49040-XXXX
SERIES NUMBER	
RELIEF PRESSURE	
	100 - 1250 (PSI)*

* AVAILABLE IN 50 PSI INCREMENTS
100 - 1250 PSI.