

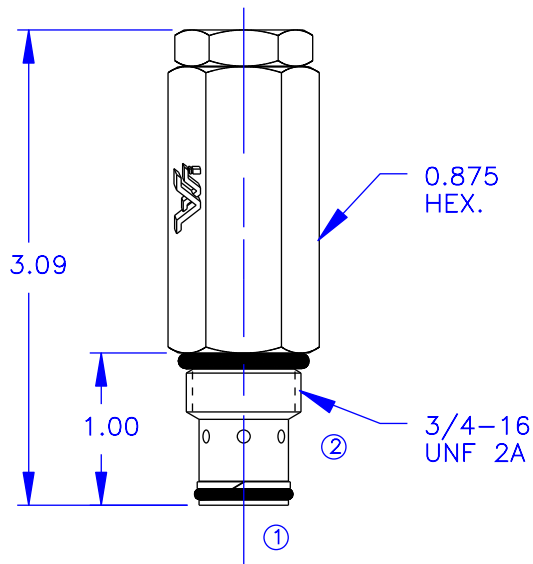


RELIEF VALVE

49045 SERIES

CARTRIDGE

POPPET STYLE
8-2 CARTRIDGE



DESCRIPTION

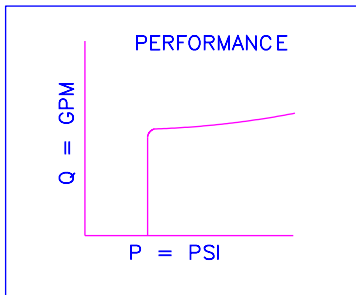
- A CARTRIDGE STYLE RELIEF VALVE FOR AN 8-2 INDUSTRY COMMON CAVITY THAT LIMITS MAXIMUM SYSTEM PRESSURE OR MAINTAINS A DESIRED PRESSURE WITHIN A CIRCUIT.

OPERATION

- FLOW FROM "1" TO "2" IS BLOCKED UNTIL THE SPECIFIED RELIEF PRESSURE SETTING HAS BEEN EXCEEDED.
- FLOW FROM "2" TO "1" IS ALWAYS BLOCKED.

FEATURES

- STEEL COMPONENTS.
- GUIDED POPPET.
- HARDENED SEAT.
- LOW INTERNAL LEAKAGE.
- QUIETER OPERATION.
- FITS INDUSTRY COMMON CAVITY.
- LIMITED ADJUSTABILITY.



- SPECIFICATIONS -	
HYDRAULIC SYMBOL	
OPERATING PRESSURE	3500 PSI
TEMPERATURE RANGE	250°F TO -40°F
RELIEF TOLERANCE	±10%
ALL DIMENSIONS IN INCHES	

- ORDERING INFORMATION -	
ASSEMBLY NUMBER	49045-XXXX
SERIES NUMBER	
RELIEF PRESSURE (PSI)*	

* AVAILABLE IN 50 PSI INCREMENTS
100 - 3500 PSI.



Vonberg Valve, inc.

HYDRAULIC VALVE SPECIALISTS

3800 INDUSTRIAL AVE.
ROLLING MEADOWS, IL 60008-1085
PH: (847) 259-3800 FAX: (847) 259-3997