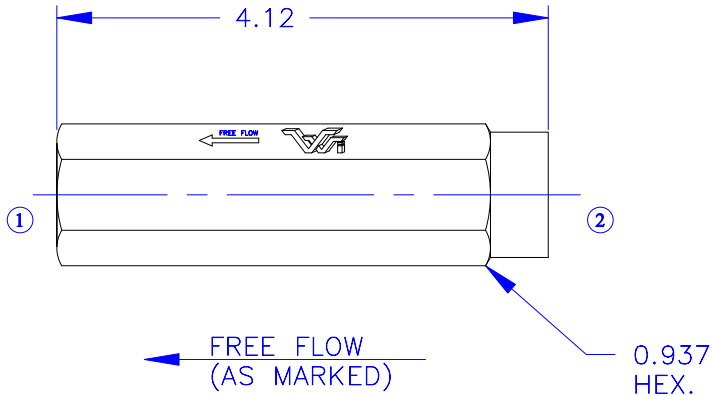




RELIEF VALVE

IN-LINE WITH FREE REVERSE FLOW

49060 SERIES
DIFFERENTIAL AREA
#8 SAE O-RING PORT



DESCRIPTION

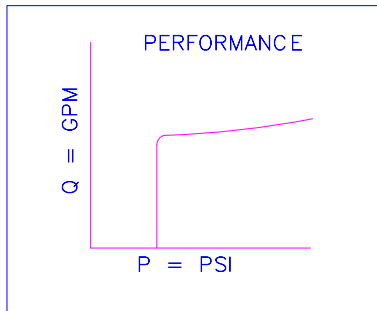
- AN IN-LINE RELIEF VALVE WITH FREE REVERSE FLOW THAT LIMITS MAXIMUM SYSTEM PRESSURE OR ALLOWS SEQUENCING OF PRESSURES WITHIN A CIRCUIT.

OPERATION

- FLOW FROM "1" TO "2" IS BLOCKED UNTIL THE SPECIFIED RELIEF PRESSURE SETTING HAS BEEN EXCEEDED.
- FLOW FROM "2" TO "1" IS UNRESTRICTED WITH A 5-10 PSI CRACK PRESSURE.

FEATURES

- STEEL AND ALUMINUM COMPONENTS.
- NOISE ABATEMENT.
- LOW INTERNAL LEAKAGE.
- INTERNAL PACKING - BUNA N.
- LOW PRESSURE DROP.



| - SPECIFICATIONS - | |
|--------------------------|----------------|
| HYDRAULIC SYMBOL | |
| OPERATING PRESSURE | 3000 PSI |
| TEMPERATURE RANGE | 250°F TO -40°F |
| FLOW RANGE | 20 GPM |
| RELIEF TOLERANCE | ±10% |
| ALL DIMENSIONS IN INCHES | |

| - ORDERING INFORMATION - | |
|--------------------------|-------------------|
| ASSEMBLY NUMBER | 49060-XXXX |
| SERIES NUMBER | |
| RELIEF PRESSURE | 100 - 1250 (PSI)* |

* AVAILABLE IN 50 PSI INCREMENTS
100 - 1250 PSI.



Vonberg Valve, inc.
HYDRAULIC VALVE SPECIALISTS

3800 INDUSTRIAL AVE.
ROLLING MEADOWS, IL 60008-1085
PH: (847) 259-3800 FAX: (847) 259-3997