

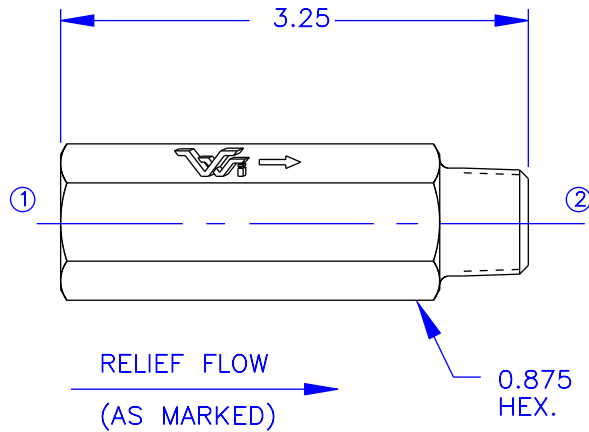


RELIEF VALVE

90108 SERIES

IN-LINE

FEMALE TO MALE
3/8 PIPE CONNECTIONS



DESCRIPTION

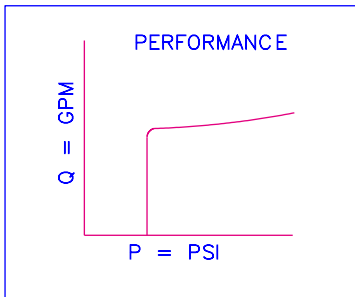
- AN IN-LINE RELIEF VALVE WITH 3/8 NPTF PORT INLET AND MALE 3/8 NPTF OUTLET THAT LIMITS MAXIMUM SYSTEM PRESSURE OR MAINTAINS A DESIRED PRESSURE WITHIN A CIRCUIT.

OPERATION

- FLOW FROM "1" TO "2" IS BLOCKED UNTIL THE SPECIFIED RELIEF PRESSURE SETTING HAS BEEN EXCEEDED.
- FLOW FROM "2" TO "1" IS ALWAYS BLOCKED.

FEATURES

- STEEL BODY.
- CHROME STEEL BALL / HARDENED SEAT.
- LOW INTERNAL LEAKAGE.



- SPECIFICATIONS -	
HYDRAULIC SYMBOL	
OPERATING PRESSURE	5000 PSI
TEMPERATURE RANGE	250°F TO -40°F
FLOW RANGE	5 GPM
RELIEF TOLERANCE	±10%
ALL DIMENSIONS IN INCHES	

- ORDERING INFORMATION -	
ASSEMBLY NUMBER	90108-XXX
SERIES NUMBER	_____
RELIEF PRESSURE	_____
IN 100 PSI INCREMENTS	



Vonberg Valve, inc.

HYDRAULIC VALVE SPECIALISTS

3800 INDUSTRIAL AVE.
ROLLING MEADOWS, IL 60008-1085
PH: (847) 259-3800 FAX: (847) 259-3997