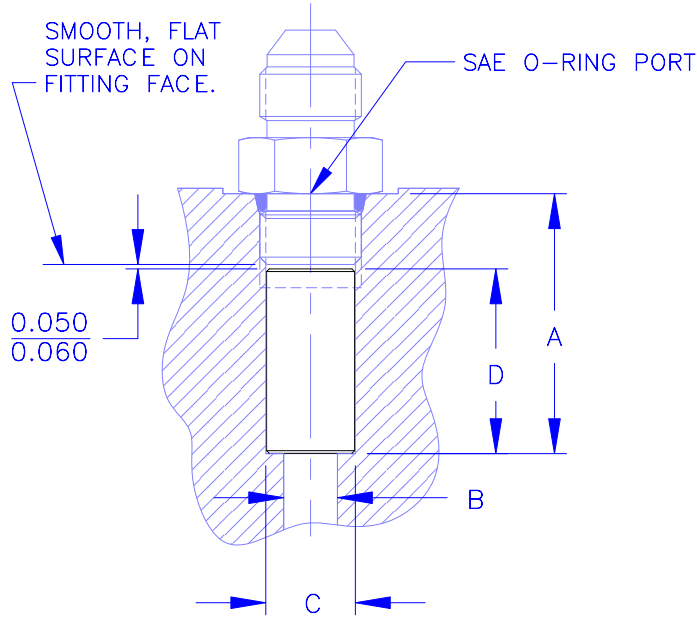
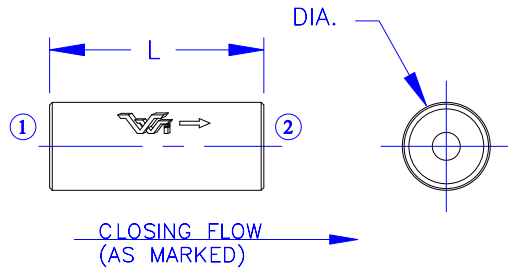




VELOCITY FUSE

21800 SERIES

SLIP-IN CARTRIDGE



DESCRIPTION

- A SLIP-IN CARTRIDGE STYLE VELOCITY FUSE THAT PROVIDES FULL-LINE SHUT-OFF IN THE EVENT OF A LINE FAILURE.

OPERATION

- A FLOW BELOW THE SPECIFIED LIMIT IS ALLOWED FROM "1" TO "2".
- FLOW ABOVE THE SPECIFIED LIMIT IS ASSUMED TO BE A LINE FAILURE AND IS BLOCKED.
- FLOW FROM "2" TO "1" PASSES THRU THE CONTROLLING ORIFICE BUT IS UNCONTROLLED.
- CLOSING FLOW TOLERANCE= +15%/-0%

FEATURES

- STEEL COMPONENTS.
- FAIL SAFE DESIGN.
- RAPID RESPONSE.

CAVITY

- BORE DEPTHS ASSUME THE USE OF A STD. O-RING BOSS CONNECTOR WITH THREAD LENGTHS BASED ON SAE J514.
- CARTRIDGE VALVE IS LEFT WITH APPROX. 0.060" OF SLACK IN THE CAVITY TO PREVENT DAMAGING VALVE.
- CARTRIDGE BODY SEATS ON SMOOTH, FLAT SURFACE OF FITTING IN THE CLOSING FLOW DIRECTION.

- SPECIFICATIONS -

HYDRAULIC SYMBOL	
OPERATING PRESSURE	3500 PSI
TEMPERATURE RANGE	250°F TO -40°F
REOPENING DIFFERENTIAL	50 PSI
ALL DIMENSIONS IN INCHES	

- ORDERING INFORMATION -

ASSEMBLY NUMBER	21800-0XX-XX
SERIES NUMBER	
PORT SIZE	
CLOSING FLOW (GPM)	

MODEL	L	DIA.	FLOW RANGE	A	B (MAX.)	C	D
21800-006	1.70	0.506	0.50 - 10.0 GPM	2.15/2.16	0.375	0.510/0.515	1.76/1.77
21800-008	1.88	0.670	0.50 - 25.0 GPM	2.38/2.39	0.500	0.672/0.677	1.94/1.95
21800-010	1.90	0.795	2.0 - 40.0 GPM	2.46/2.47	0.625	0.797/0.802	1.96/1.97
21800-012	1.90	0.970	2.0 - 40.0 GPM	2.56/2.57	0.812	0.972/0.977	1.96/1.97
21800-014	2.14	1.095	2.0 - 50.0 GPM	2.80/2.81	0.812	1.097/1.102	2.20/2.21
21800-016	2.14	1.220	2.0 - 50.0 GPM	2.80/2.81	0.937	1.222/1.227	2.20/2.21
21800-024	3.25	1.783	5.0 - 80.0 GPM	3.91/3.92	1.437	1.787/1.792	3.31/3.32



Vonberg Valve, inc.

HYDRAULIC VALVE SPECIALISTS

3800 INDUSTRIAL AVE.
 ROLLING MEADOWS, IL 60008-1085
 PH: (847) 259-3800 FAX: (847) 259-3997