

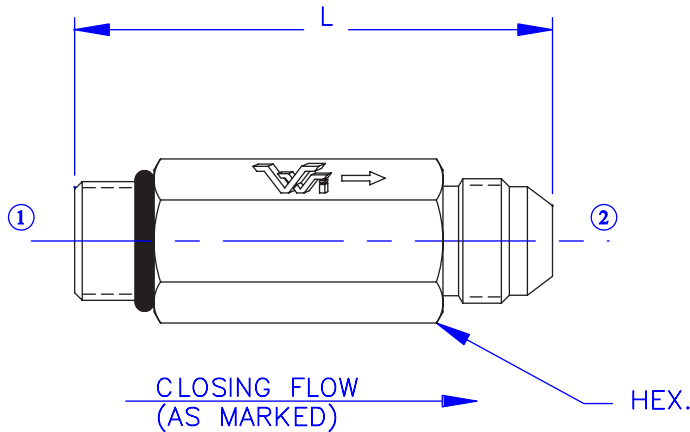


VELOCITY FUSE

28001-800 SERIES

IN-LINE

MALE SAE TO
MALE JIC CONNECTION



DESCRIPTION

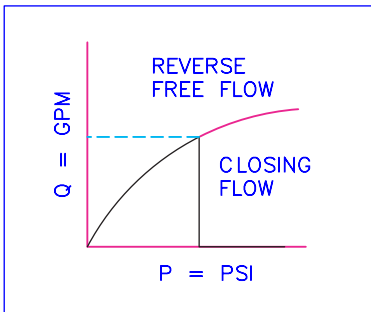
- AN IN-LINE VELOCITY FUSE WITH A MALE SAE INLET AND A MALE JIC OUTLET THAT PROVIDES FULL-LINE SHUT-OFF IN THE EVENT OF A LINE FAILURE.

OPERATION

- A FLOW BELOW THE SPECIFIED LIMIT IS ALLOWED FROM "1" TO "2".
- FLOW ABOVE THE SPECIFIED LIMIT IS ASSUMED TO BE A LINE FAILURE AND IS BLOCKED.
- FLOW FROM "2" TO "1" PASSES THRU THE CONTROLLING ORIFICE BUT IS UNCONTROLLED.
- CLOSING FLOW TOLERANCE= +15%/-0%

FEATURES

- STEEL COMPONENTS.
- FAIL SAFE DESIGN.
- RAPID RESPONSE.



- SPECIFICATIONS -

HYDRAULIC SYMBOL	
OPERATING PRESSURE	3500 PSI
TEMPERATURE RANGE	250°F TO -40°F
REOPENING DIFFERENTIAL	50 PSI
ALL DIMENSIONS IN INCHES	

- ORDERING INFORMATION -

ASSEMBLY NUMBER	28001-8XX-XX
SERIES NUMBER	_____
PORT SIZE	_____
CLOSING FLOW (GPM)	_____

MODEL	CONN. 1	CONN. 2	FLOW RANGE	L	HEX.
28001-804 *	#4 SAE 7/16-20	#4 JIC 7/16-20	0.1 - 4.0 GPM	3.06	0.625
28001-806	#6 SAE 9/16-18	#6 JIC 9/16-18	0.1 - 4.0 GPM	1.61	0.750
28001-808	#8 SAE 3/4-16	#8 JIC 3/4-16	0.5 - 10.0 GPM	1.75	0.875
28001-810	#10 SAE 7/8-14	#10 JIC 7/8-14	1.0 - 25.0 GPM	2.06	1.000
28001-812	#12 SAE 1 1/16-12	#12 JIC 1 1/16-12	2.0 - 40.0 GPM	1.97	1.250
28001-816	#16 SAE 1 5/16-12	#16 JIC 1 5/16-12	2.0 - 50.0 GPM	2.50	1.500
28001-824	#24 SAE 1 7/8-12	#24 JIC 1 7/8-12	5.0 - 80.0 GPM	4.47	2.125

* 28001-804 IS A 2 PIECE VALVE



Vonberg Valve, inc.

HYDRAULIC VALVE SPECIALISTS

3800 INDUSTRIAL AVE.
ROLLING MEADOWS, IL 60008-1085
PH: (847) 259-3800 FAX: (847) 259-3997