

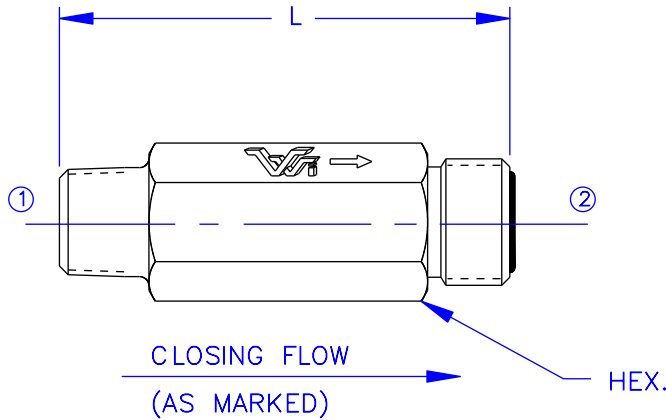


VELOCITY FUSE

28009-500 SERIES

IN-LINE

MALE NPTF TO
MALE ORS CONNECTION



DESCRIPTION

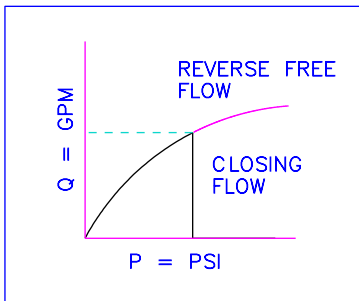
- AN IN-LINE VELOCITY FUSE WITH A MALE NPTF INLET AND A MALE ORS OUTLET THAT PROVIDES FULL-LINE SHUT-OFF IN THE EVENT OF A LINE FAILURE.

OPERATION

- A FLOW BELOW THE SPECIFIED LIMIT IS ALLOWED FROM "1" TO "2".
- FLOW ABOVE THE SPECIFIED LIMIT IS ASSUMED TO BE A LINE FAILURE AND IS BLOCKED.
- FLOW FROM "2" TO "1" PASSES THRU THE CONTROLLING ORIFICE BUT IS UNCONTROLLED.
- CLOSING FLOW TOLERANCE= +15%/-0%

FEATURES

- STEEL COMPONENTS.
- FAIL SAFE DESIGN.
- RAPID RESPONSE.



- SPECIFICATIONS -

| | |
|--------------------------|----------------|
| HYDRAULIC SYMBOL | |
| OPERATING PRESSURE | 3500 PSI |
| TEMPERATURE RANGE | 250°F TO -40°F |
| REOPENING DIFFERENTIAL | 50 PSI |
| ALL DIMENSIONS IN INCHES | |

- ORDERING INFORMATION -

ASSEMBLY NUMBER 28009-5XX-XX
 SERIES NUMBER _____
 PORT SIZE _____
 CLOSING FLOW (GPM) _____

| MODEL | CONN. 1 | CONN. 2 | FLOW RANGE | L | HEX. |
|-----------|-------------------|-------------------|----------------|------|-------|
| 28009-502 | 1/4-18 NPTF | #4 ORS 9/16-18 | 0.1 - 4.0 GPM | 2.30 | 0.625 |
| 28009-503 | 3/8-18 NPTF | #6 ORS 11/16-16 | 0.5 - 10.0 GPM | 2.30 | 0.750 |
| 28009-504 | 1/2-14 NPTF | #8 ORS 13/16-16 | 1.0 - 25.0 GPM | 2.34 | 0.875 |
| 28009-506 | 3/4-14 NPTF | #12 ORS 1 3/16-12 | 2.0 - 40.0 GPM | 2.75 | 1.250 |
| 28009-508 | 1-11 1/2 NPTF | #16 ORS 1 7/16-12 | 2.0 - 50.0 GPM | 3.25 | 1.375 |
| 28009-512 | 1 1/2-11 1/2 NPTF | #24 ORS 2-12 | 5.0 - 80.0 GPM | 4.85 | 2.000 |



Vonberg Valve, inc.

HYDRAULIC VALVE SPECIALISTS

3800 INDUSTRIAL AVE.
 ROLLING MEADOWS, IL 60008-1085
 PH: (847) 259-3800 FAX: (847) 259-3997