

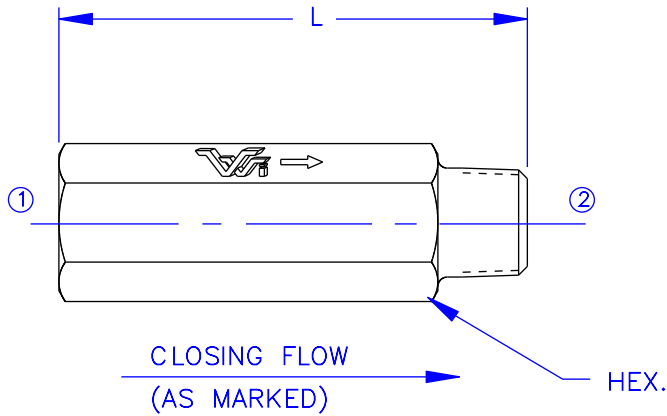


VELOCITY FUSE

28901-100 SERIES

IN-LINE

FEMALE NPTF TO
MALE NPTF CONNECTION



DESCRIPTION

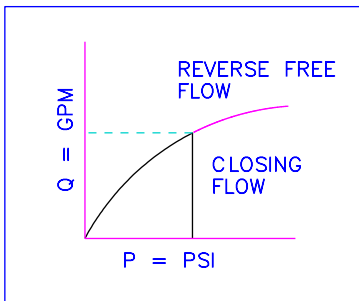
- AN IN-LINE VELOCITY FUSE WITH A FEMALE NPTF INLET AND A MALE NPTF OUTLET THAT PROVIDES FULL-LINE SHUT-OFF IN THE EVENT OF A LINE FAILURE.

OPERATION

- A FLOW BELOW THE SPECIFIED LIMIT IS ALLOWED FROM "1" TO "2".
- FLOW ABOVE THE SPECIFIED LIMIT IS ASSUMED TO BE A LINE FAILURE AND IS BLOCKED.
- FLOW FROM "2" TO "1" PASSES THRU THE CONTROLLING ORIFICE BUT IS UNCONTROLLED.
- CLOSING FLOW TOLERANCE= +15%/-0%

FEATURES

- STEEL COMPONENTS.
- FAIL SAFE DESIGN.
- RAPID RESPONSE.



- SPECIFICATIONS -

HYDRAULIC SYMBOL	
OPERATING PRESSURE	3500 PSI
TEMPERATURE RANGE	250°F TO -40°F
REOPENING DIFFERENTIAL	50 PSI
ALL DIMENSIONS IN INCHES	

- ORDERING INFORMATION -

ASSEMBLY NUMBER	28901-1XX-XX
SERIES NUMBER	_____
PORT SIZE	_____
CLOSING FLOW (GPM)	_____

MODEL	CONN. 1	CONN. 2	FLOW RANGE	L	HEX.
28901-102	1/4-18 NPTF	1/4-18 NPTF	0.5 - 10.0 GPM	2.85	0.750
28901-103	3/8-18 NPTF	3/8-18 NPTF	0.5 - 25.0 GPM	3.25	0.875
28901-104	1/2-14 NPTF	1/2-14 NPTF	2.0 - 40.0 GPM	3.30	1.125
28901-106	3/4-14 NPTF	3/4-14 NPTF	2.0 - 50.0 GPM	3.65	1.375



Vonberg Valve, inc.

HYDRAULIC VALVE SPECIALISTS

3800 INDUSTRIAL AVE.
ROLLING MEADOWS, IL 60008-1085
PH: (847) 259-3800 FAX: (847) 259-3997